

VERS WORKING CHAIR

Technical Data Sheet





VERS WORKING CHAIR

Designer: Z Design Team

Vers offers innovative solutions for dynamic office environments with various base options.

DESCRIPTION

STAR BASE

The star base is made from durable, impact- and scratch-resistant hard plastic material, with a white 5-point star configuration.

MECHANISM

The chair is equipped with a mechanism that provides vertical movement (up and down).

SEAT AND BACKREST

The seat is made from a plastic frame, molded using a plastic injection method. The seat itself is made from molded polyurethane foam, formed in special molds. The upholstery is fabric-covered.

The backrest is made from a plastic frame molded using plastic injection and covered with mesh fabric for added comfort.

ACCESSORIES

Wheels: The chair is equipped with 60 mm diameter swivel wheels made from durable plastic material.

USAGE AREA

The Vers Working Chair is designed for use in offices, workspaces, meeting areas, and conference rooms.

DESIGNER / COLLECTION

The Vers product group was designed by Z Design Team for the 2024/2025 collection.

MATERIAL CATALOG

Zivella's material catalog, including wood, metal, fabric, and synthetic leather, can be accessed via the QR code below.



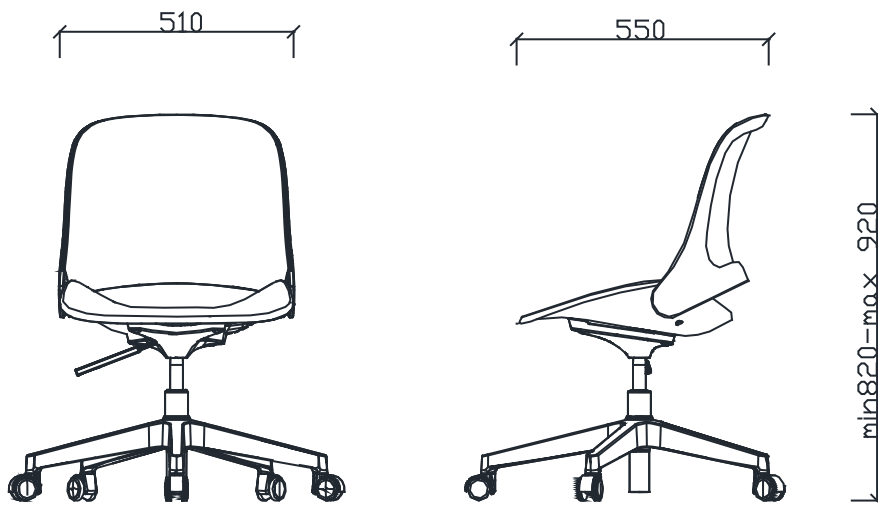
Material Catalog





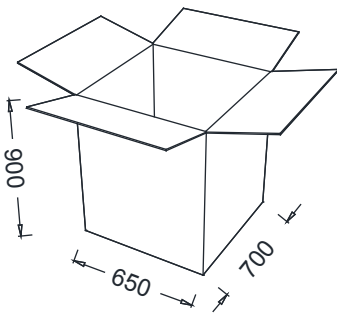
DIMENSIONS

**VERS
WORKING CHAIR**



BRK58030 - VERS WORKING CHAIR (Plastic Base)

Box Dimensions:



Unit of measurement: Millimeters