

VERS CONFERENCE CHAIR

Technical Data Sheet





VERS CONFERENCE CHAIR

Designer: Z Design Team

The Vers Conference Chair is an ideal choice for both office and home workspaces due to its foldable leg design, offering space-saving functionality while providing comfortable seating.

DESCRIPTION

BASE

The base is made from durable, impact and scratch-resistant hard plastic material, designed as a one-piece plastic armrest base.

MECHANISM

The chair features a foldable leg mechanism with a pull lever located underneath the seat for easy operation.

SEAT & BACKREST

The seat is made from a plastic injection-molded frame, with molded polyurethane foam formed in special molds. The seat is upholstered in fabric.

The backrest is made from a plastic injection-molded frame, with mesh fabric upholstery for enhanced comfort and breathability.

ACCESSORIES

Wheels: The chair is equipped with 60 mm diameter swivel wheels made from durable plastic material that rotates in all directions.

USAGE AREA

The Vers Conference Chair is designed for use in offices, work areas, meeting rooms, and conference spaces.

DESIGNER / COLLECTION

The Vers product group was designed by Z Design Team for the 2024/2025 collection.

MATERIAL CATALOG

Zivella's material catalog, including wood, metal, fabric, and synthetic leather, can be accessed via the QR code below.



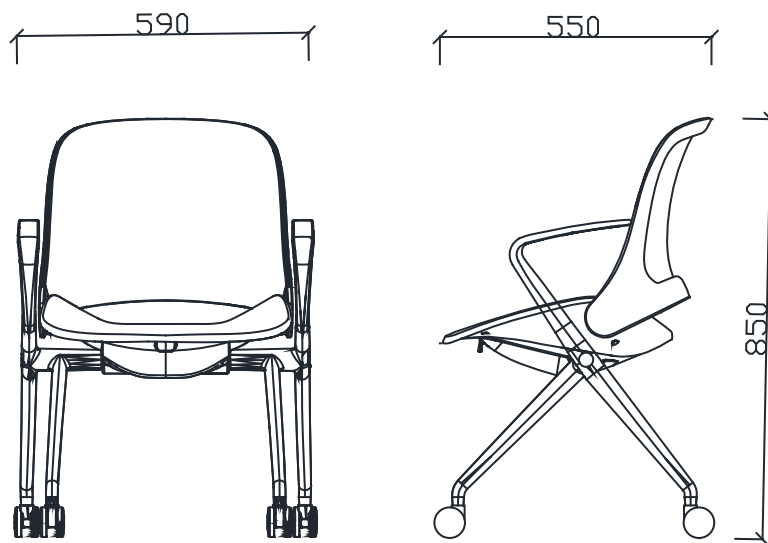
Material Catalog





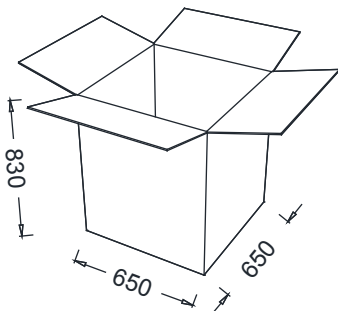
VERS CONFERENCE CHAIR

DIMENSIONS



BRK58010 - VERS CONFERENCE CHAIR (Foldable Legs)

Box Dimensions:



Unit of measurement: Millimeters