

# TONE WAITING GROUP

Technical Data Sheet





## TONE WAITING GROUP

Designer: Alp Nuhođlu

With its inner and outer curved, straight waiting modules, Tone allows you to create groups tailored to your needs in waiting areas.

Its Q120 and Q80 diameter poufs add variety in size and help establish a hierarchical arrangement in your spaces.

### EXPLANATIONS

---

#### WOODEN STRUCTURE

The backrest and seat body frame of the product is made from second-grade kiln-dried solid beech wood, 18 mm panel material, and 3.2 mm duralite material.

#### METAL STRUCTURE

The metal structure of the product is made from 1.5 mm thick tubes with a diameter of Q25 mm and metal profiles measuring 40x10 mm. The legs are attached to the seat using connection brackets and are coated with 90-micron thick textured electrostatic powder paint.

#### UPHOLSTERY

The backrest uses 25 DNS CNC-cut special foam and 14 DNS white foam with a thickness of 1.2 cm. The seat uses 10 cm thick 35 HR foam and 60 gr fiber.

#### TABLE

In the two-seater models of the Tone group, table options are available.

The table is made from 8 mm thick veneer material.

The surface of the table is finished with three layers of polyurethane filler varnish followed by two layers of polyurethane matte varnish.

The table's metal frame is connected to the structure using Q22x1.5 mm tube profiles.

#### ACCESSORIES

Feet: Adjustable plastic bingo feet are used on the legs to ensure height adjustment.

#### USAGE AREA

The Tone Waiting Group is suitable for use in spaces such as hotels, shopping malls, hospitals, and office waiting areas.

In interior design projects, it can be customized to fit the space, dimensions, and function as needed.

The Tone Waiting Group offers dozens of combinations and product options with three different seating modules and table modules.

#### DESIGNER / COLLECTION

The Tone Waiting Group was designed by Alp Nuhođlu for the 2022/2023 collection.

#### MATERIAL LIBRARY

Zivella; you can access the wood, metal, fabric, and faux leather library using the QR code below.

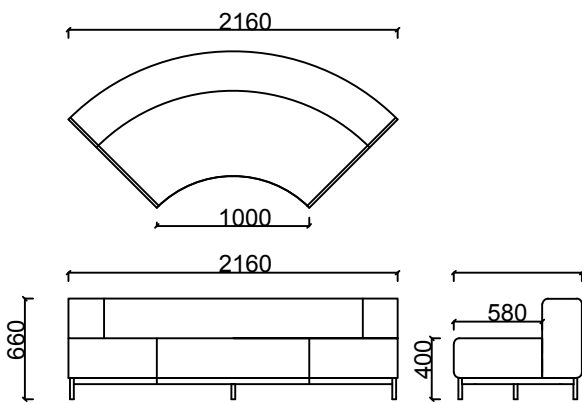


Material Catalog

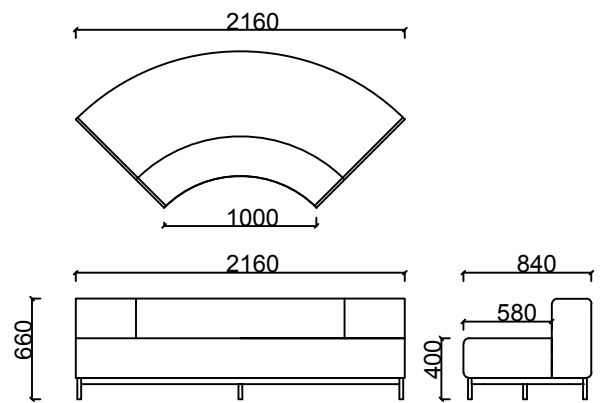


## STONE TWO-SEATER WAITING MODULE

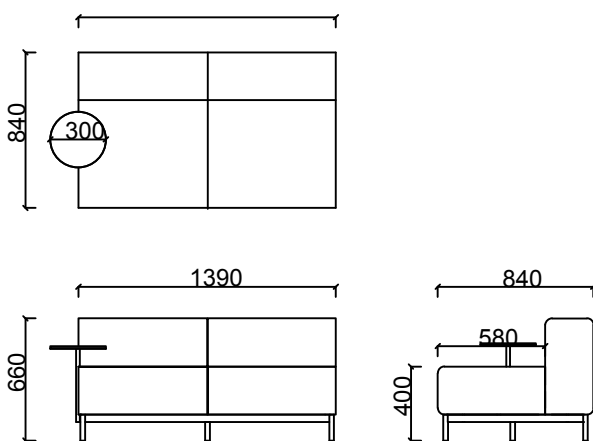
### DIMENSIONS



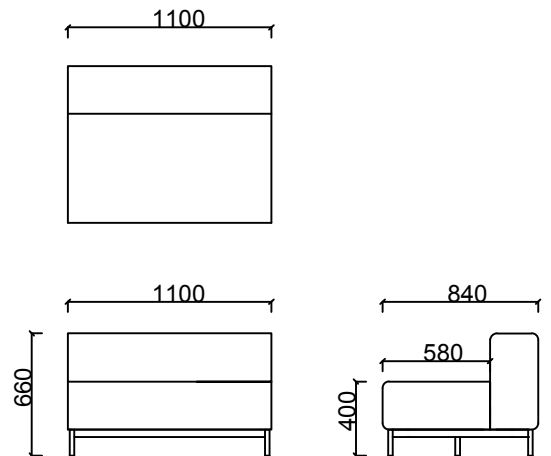
BRK1612 - TONE INNER CURVED



BRK1613 - TONE OUTER CURVED



BRK1601 - TONE ROUND WITH TABLE  
BRK1602 - TONE TWO-SEATER  
BRK1603 - TONE TWO-SEATER WITH RECTANGULAR TABLE



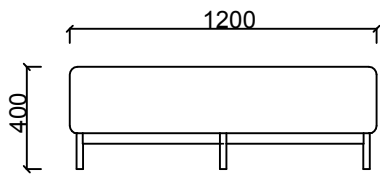
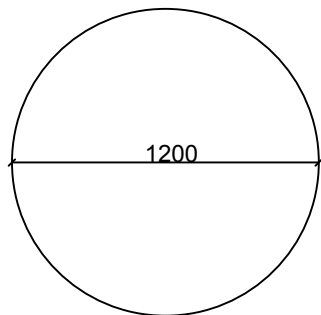
BRK1610 - TONE 110 STRAIGHT

Measurements are in millimeters.

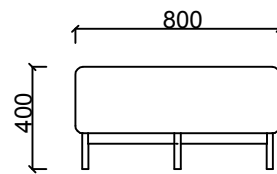
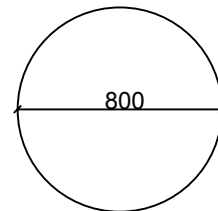


## STONE THREE-SEATER WAITING MODULE

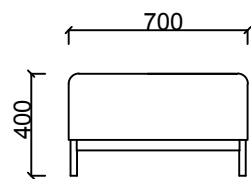
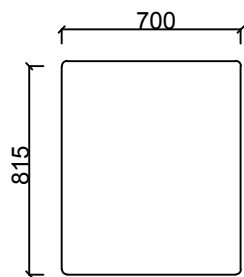
### DIMENSIONS



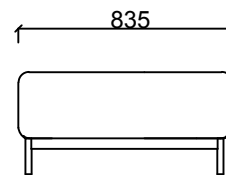
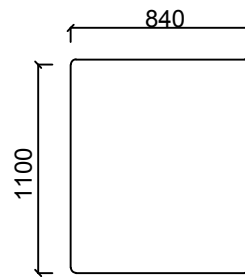
BRK1615 - TONE Q120 POUF



BRK1614 - TONE Q80 POUF



BRK1600 - TONE 70 STRAIGHT POUF



BRK1611 - TONE 110 STRAIGHT POUF

Measurements are in millimeters.