

TO-WORK WORKING CHAIR

Technical Data Sheet





TO-WORK WORKING CHAIR

Designer: Z Design Team

To-Work stands out with its ergonomic design and modern aesthetics, offering a dynamic solution for both executives and employees. Available in different color options, To-Work adapts seamlessly to any workspace, enhancing both comfort and productivity.

DESCRIPTION

STAR BASE

The star base is made of impact and scratch-resistant hard plastic material, forming a 5-point star configuration. Available in white or black color options for the plastic base.

MECHANISM

Mechanism: The chair features a synchro mechanism with 3 separate reclining positions, which can be locked. The height is adjustable, and the tension is adjustable as well.

Gas Lift: A conical coupling system is used between the base and mechanism, allowing the chair to be fixed at the desired sitting height. The gas lift is imported and is class 4.

SEAT

The seat is made using plastic injection molding. The polyurethane molded foam is placed on the plastic seat cover. The seat depth is adjustable and functional. Upholstered with fabric, the seat comes in either white or black color options for the plastic base.

BACKREST

The backrest is made using plastic injection molding with a frame and is covered with mesh fabric. To provide ergonomic support, the backrest features a sponge-supported lumbar support made from plastic. The backrest plastic is available in white or black color options.

ARMRESTS

The armrests are height adjustable via a button. They also offer forward-backward and left-right movement capability. The armrest pads are made from polyurethane, and the armrest structure is made of durable plastic material, resistant to impacts and scratches.

ACCESSORIES

Wheels: The chair is equipped with 60 mm diameter swivel wheels, made from durable plastic material that rotates in all directions.

USAGE AREA

The To-Work Working Chair is designed for use in executive offices, work areas, and other professional environments.

DESIGNER / COLLECTION

The To-Work product group was designed by Z Design Team for the 2024/2025 collection.

MATERIAL CATALOG

Zivella's material catalog, including wood, metal, fabric, and synthetic leather, can be accessed via the QR code below.



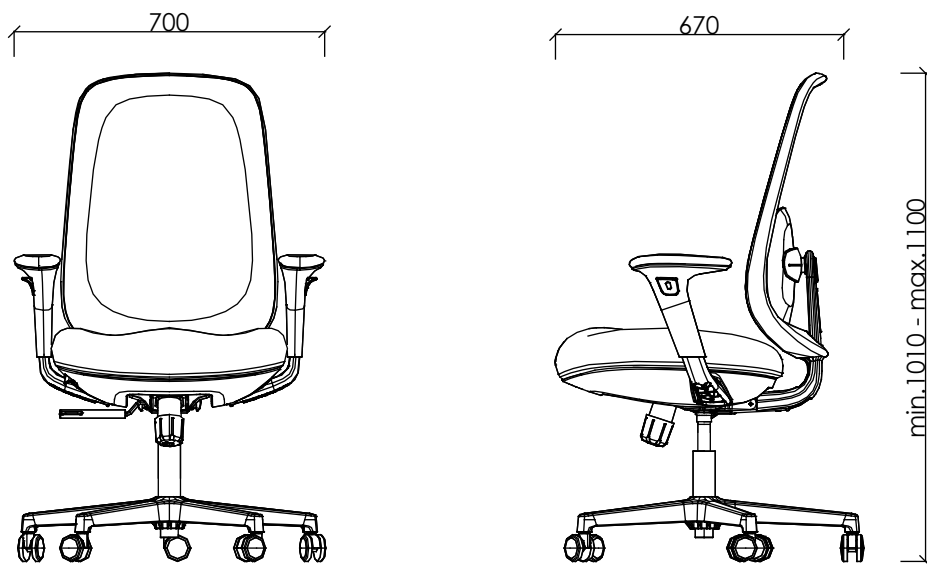
Material Catalog





TO-WORK WORKING CHAIR

DIMENSIONS

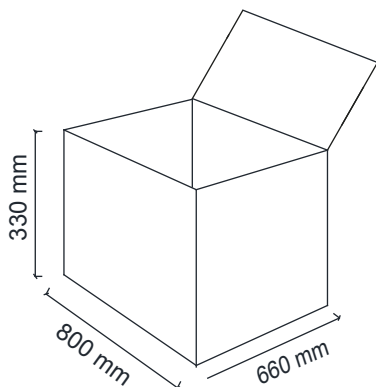


BRK61110 - TO-WORK WORKING CHAIR BLACK
(Gray Mesh-Dark Gray Seat)

BRK61310 - TO-WORK WORKING CHAIR WHITE
(Gray Mesh-Gray Seat)

BRK61410 - TO-WORK WORKING CHAIR WHITE
(Orange Mesh-Orange Seat)

Box Dimensions:



Unit of measurement: Millimeters