

TO-DO EXECUTIVE CHAIR

Technical Data Sheet





TO-DO EXECUTIVE CHAIR

Designer: Z Design Team

The To-Do Executive Chair, specifically designed for those seeking comfort, adds elegance and functionality to the workspace. Its breathable mesh backrest and headrest design, combined with the adjustable lumbar support, make long working hours enjoyable.

DESCRIPTION

STAR BASE

The star base is made of durable, impact- and scratch-resistant hard plastic material, and features a 5-point star configuration.

MECHANISM

The chair features a synchro mechanism with 3 separate reclining positions that can be locked. The height is adjustable, and the tension is also adjustable. The mechanism includes a gas spring with a conical coupling system, allowing the chair to be fixed at the desired sitting height. It is equipped with a class 4 gas lift imported from overseas.

SEAT AND BACKREST

The seat is made of plastic injection, and upholstery is added on top of the molded polyurethane foam using the plastic injection method. The seat depth is adjustable for functionality.

The backrest is also made using plastic injection, with a plastic frame. Upholstered with mesh fabric, the backrest features an ergonomic lumbar support made from plastic material. The backrest is equipped with a height-adjustable headrest, integrated into the back frame, and covered in mesh fabric. The seat and backrest plastic are black in color.

ARMREST

The armrest is height-adjustable, with forward-backward and left-right movement capability. The armrest pads are made from polyurethane, offering protection against impacts and scratches. The movable armrest is made of durable polypropylene material.

ACCESSORIES

Wheels: The chair is equipped with 60mm diameter, durable plastic wheels that rotate in all directions.

USAGE AREA

The To-Do Executive Chair is designed for use in executive offices, workspaces, and other professional environments.

DESIGNER / COLLECTION

The To-Do product group was designed by Z Design Team for the 2024/2025 collection.

MATERIAL CATALOG

Zivella's material catalog, including wood, metal, fabric, and synthetic leather, can be accessed via the QR code below.



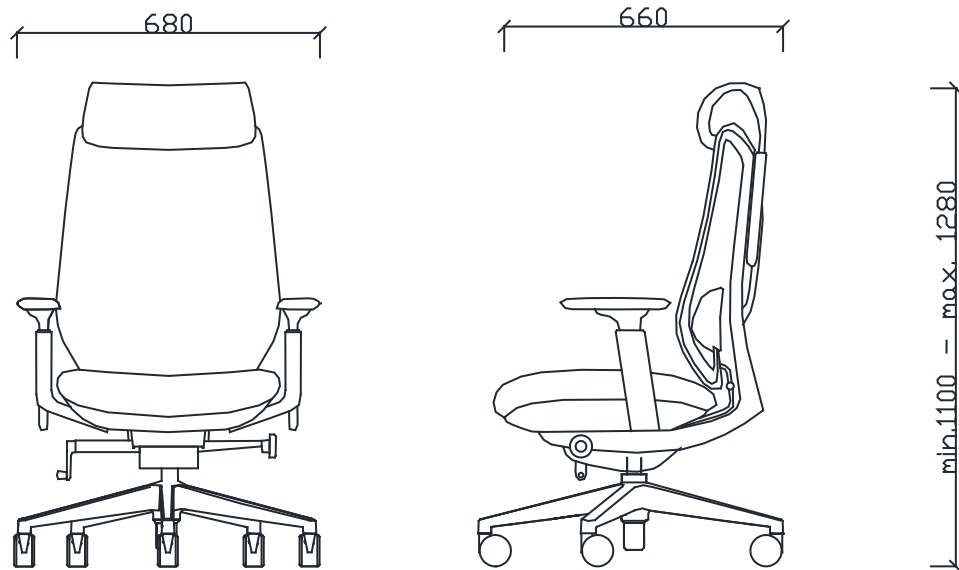
Material Catalog





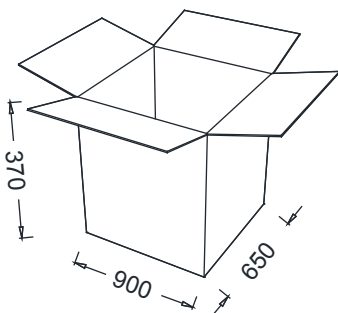
TO-DO EXECUTIVE CHAIR

DIMENSIONS



BRK62010 - TO-DO EXECUTIVE BLACK
(Black Mesh-Black Seat) (Plastic Base)

Box Dimensions:



Unit of measurement: Millimeters