

TIM WOOD

Technical Data Sheet





TIM WOOD

Designer: Z Design Team

Tim is a versatile and customizable chair that stands out with its linear design and simplicity. With options such as sleeved and sleeveless, different leg, color and upholstery options, you can personalize it to match your gusto.

DESCRIPTIONS

WOODEN LEGS

The legs are crafted from 1st class kiln-dried solid ash wood. To achieve the desired oval shape, the legs undergo a turning process. The wooden legs are then attached to the plastic seat shell using polypropylene plastic connectors, which are specially molded for this purpose. The wooden surface is treated with three coats of polyurethane filler varnish followed by two coats of polyurethane matte finish varnish to protect against external factors and ensure long-lasting use.

PLASTIC SHELL

The seat shell is produced through an injection molding process, using polypropylene material, which is both durable and lightweight.

UPHOLSTERY

The backrest is upholstered with 10 mm thick foam with a density of 28 DNS, which is applied over the polypropylene plastic shell. The fabric or synthetic leather covering is then applied, providing a comfortable and aesthetically pleasing surface.

SEAT UPHOLSTERY

The seat features 20 mm thick foam with a density of 28 DNS, which is applied over the polypropylene plastic seat shell. The seat is then upholstered in fabric or synthetic leather, offering both comfort and durability.

ACCESSORIES

Wheels: The chair can be equipped with wheels made from hard plastic, which allows for smooth movement in all directions.

USAGE AREA

The Tim Wood is designed for use in meeting rooms, executive offices, and workspaces.

DESIGNER / COLLECTION

The Tim Wood product group was designed by the Z Design Team as part of the 2022/2023 collection.

MATERIAL LIBRARY

You can access Zivella's library of wood, metal, fabric and artificial leather with the QR code below.



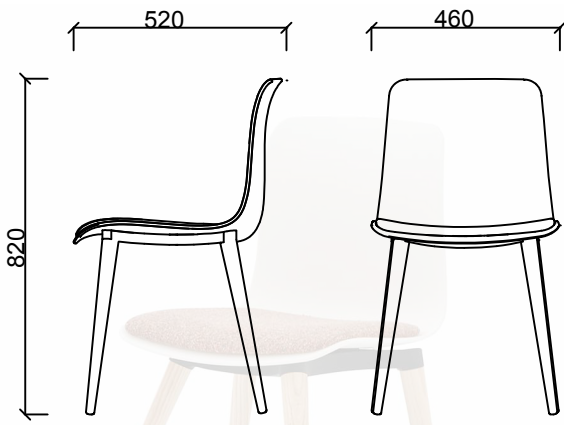
Material Catalog



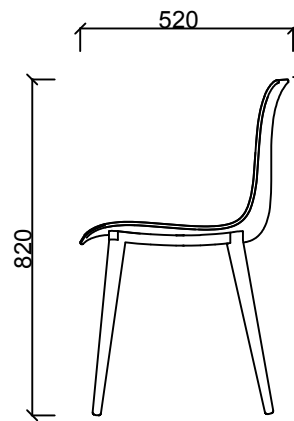


DIMENSIONS

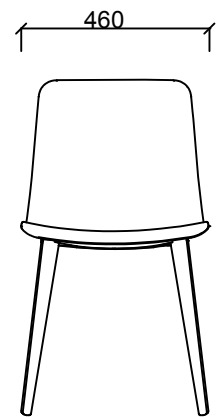
TIM WOOD



BYP149 - TIM-P WOOD



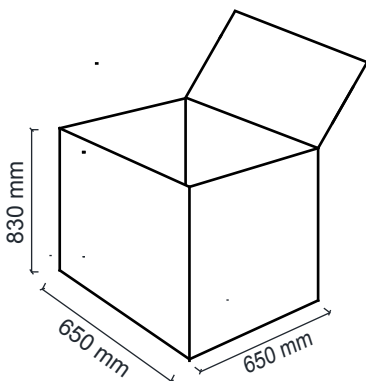
BYP148 - TIM WOOD



BYP150 - TIM-Y WOOD



Box Dimensions



Unit of measurement is millimeters.