

TIM MEETING CHAIRS

Technical Data Sheet





TIM MEETING CHAIRS

Designer: Z Design Team

Tim is a versatile and customizable chair that stands out with its linear design and simplicity. With options such as sleeved and sleeveless, different leg, color and upholstery options, you can personalize it to match your gusto.

DESCRIPTIONS

METAL LEG

Manufactured from Q25x2 mm conical pipe shaped in special molds with CNC bending. On the metal leg surface; 90 micron thick textured electrostatic powder oven paint is used.

The metal legs are one piece with Q45mm diameter swivel mechanism and 5 mm thick DKP metal sheet, and the connection to the seat is made with this sheet.

In BYP-K coded products, chrome plating surface process is applied to metal legs.

METAL ARM

Manufactured by drawing from DKP sheet metal with a diameter of Q17 mm and a wall thickness of 2 mm.

Manufactured by CNC bending in metal profile special molds. On the metal arm surface; 90 micron thick textured electrostatic powder oven paint is used.

In BYP-K coded products, chrome plating surface process is applied to metal arms.

PLASTIC FRAME

Manufactured by plastic injection from polypropylene material shaped in special molds.

UPHOLSTERY

The back is made of 10 mm thick sponge and fabric with a density of 28 DNS on a polypropylene plastic body formed in special molds.

For TIM-Y coded products, it is for the fully furnished plastic body.

The seat is formed in special molds and covered with sponge and fabric with a density of 28 DNS and a thickness of 20 mm on a polypropylene plastic seat font.

For products with TIM-P code, only for chairs with upholstered seats.

ACCESSORY

Wheel: 60mm diameter wheels made of hard plastic material, swivel in all directions with 11mm rings.

AREA OF USE

Tim Meeting Chairs are designed for interior spaces such as executive rooms, meeting rooms and workspaces.

DESIGNER / COLLECTION

Tim Meeting Product Group was designed by Z Design Team. It was designed for 2022/2023 collection.

MATERIAL LIBRARY

You can access Zivella's library of wood, metal, fabric and artificial leather with the QR code below.



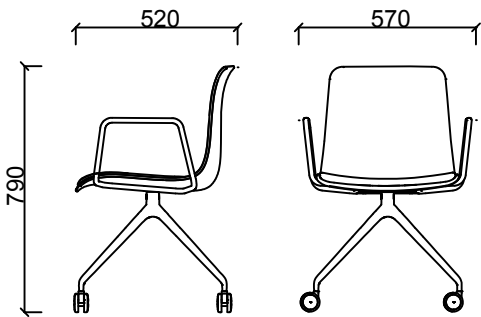
Material Library



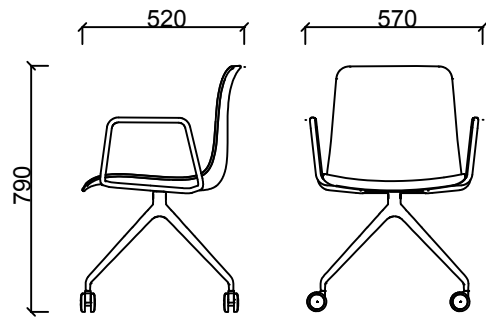


TIM MEETING CHAIRS

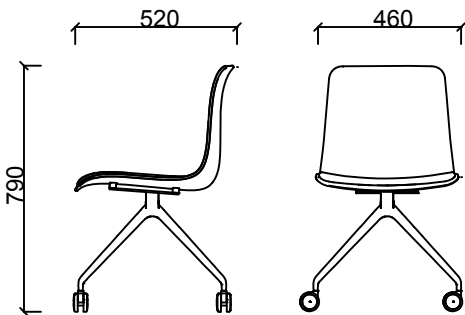
MEASUREMENTS



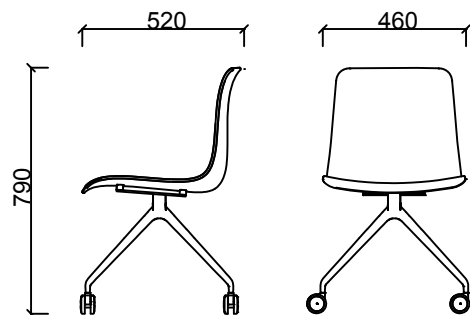
BYP133-TİM-P MEETING W/ARM STATIC
BYP133K-TİM-P MEETING W/ARM CHROME



BYP131-TİM MEETING W/ARM STATIC / BYP131K-TİM MEETING W/ARM CHROME
BYP135-TİM-Y MEETING W/ARM STATIC / BYP135K-TİM-Y MEETING W/ARM CHROME

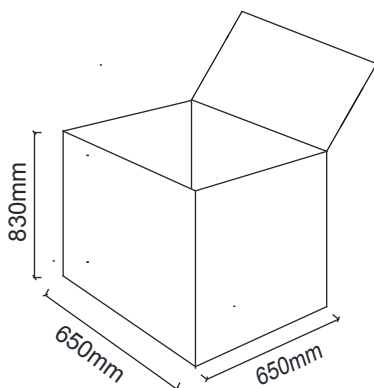


BYP132-TİM-P MEETING STATIC
BYP132K-TİM-P MEETING CHROME



BYP130-TİM MEETING STATIC / BYP130K-TİM MEETING CHROME
BYP134-TİM-Y MEETING STATIC / BYP134K-TİM-Y MEETING CHROME

Parcel Measurements



Unit of measurement is millimeters.