

TIM WAITING

Technical Data Sheet





TIM WAITING

Designer: Z Design Team

With its linear lines and simplicity, Tim stands out, allowing you to customize your Tim with various color and upholstery options.

EXPLANATIONS

METAL LEGS

The legs are manufactured from Q32x1.5 mm round pipes shaped in special molds. The surface of the metal legs is coated with 90-micron thick (textured) electrostatic powder oven paint.

The metal legs are connected to a 60x40 mm profile with 2 mm wall thickness using 3 mm thick CNC-bent connection brackets. A 5 mm thick DKP seat plate is integrated with the 60x40 mm metal profile, and the seating connection is made using this plate.

PLASTIC BODY

The body is made of polypropylene material formed in special molds through plastic injection molding.

UPHOLSTERY

Backrest: The backrest is upholstered with 10 mm thick foam having a density of 28 DNS, applied to the polypropylene plastic body shaped in special molds, and covered with fabric. Products coded as TIM-Y refer to chairs with a fully upholstered plastic body.

SEAT UPHOLSTERY

The seat consists of a 20 mm thick foam with a density of 28 DNS, applied to the polypropylene plastic seating base formed in special molds, and covered with fabric. Products coded as TIM-P refer to chairs with only the seat upholstered.

ACCESSORIES

Glide: Adjustable plastic glides with a diameter of Q60, formed in special molds.

USAGE AREA

Tim Waiting is designed for offices, hospitals, schools, and new working environments.

DESIGNER / COLLECTION

Tim Waiting was designed by Z Design Team for the 2022/2023 collection.

MATERIAL LIBRARY

Zivella's material library, including wood, metal, fabric, and artificial leather, can be accessed via the QR code below.



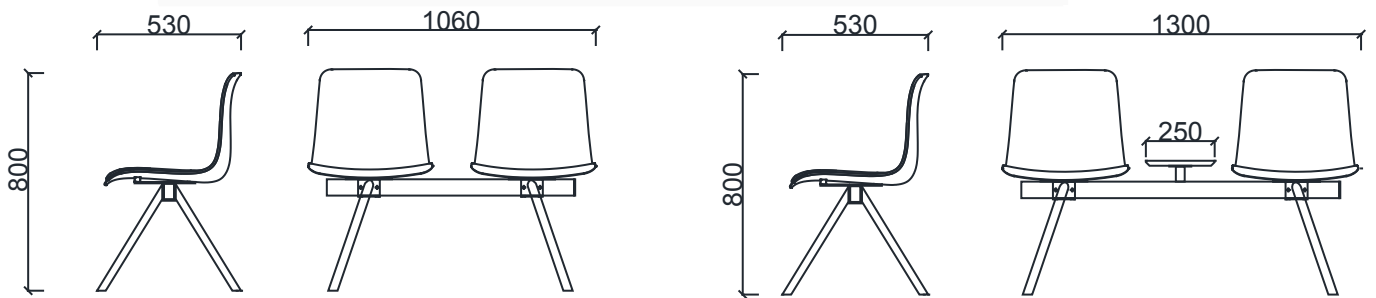
Material Library





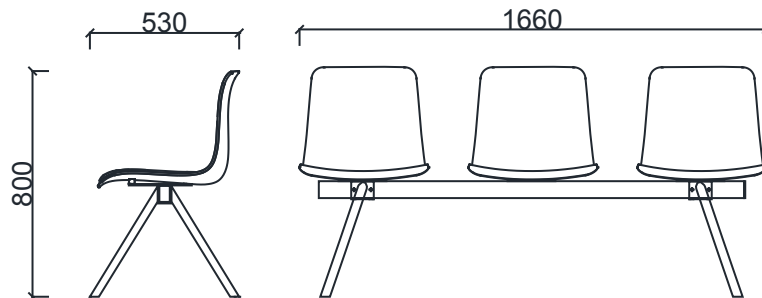
TIM WAITING

DIMENSIONS



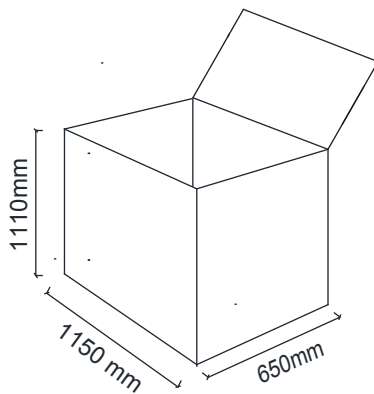
BRK122-TIM DOUBLE WAITING
BRK132-TIM-P DOUBLE WAITING
BRK142-TIM-Y DOUBLE WAITING

BRK122S-TIM DOUBLE WAITING WITH CENTRAL TABLE
BRK132S-TIM-P DOUBLE WAITING WITH CENTRAL TABLE
BRK142S-TIM-Y DOUBLE WAITING WITH CENTRAL TABLE

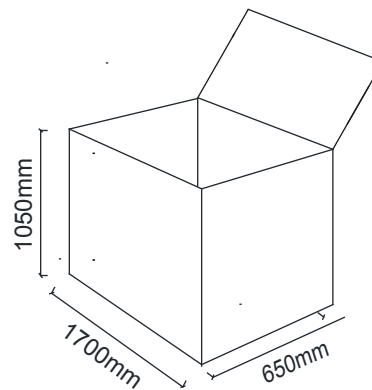


BRK123-TIM TRIPLE WAITING
BRK133-TIM-P TRIPLE WAITING
BRK143-TIM-Y TRIPLE WAITING

Box Dimensions



BRK122-TIM DOUBLE WAITING
BRK132-TIM-P DOUBLE WAITING
BRK142-TIM-Y DOUBLE WAITING



BRK123-TIM TRIPLE WAITING
BRK133-TIM-P TRIPLE WAITING
BRK143-TIM-Y TRIPLE WAITING

All dimensions are in millimeters.