

TIM BAR

Technical Data Sheet





TIM BAR

Designer: Z Design Team

Tim is a versatile and customizable chair that stands out with its linear design and simplicity. With options such as sleeved and sleeveless, different leg, color and upholstery options, you can personalize it to match your gusto.

DESCRIPTIONS

METAL LEG

The legs of the bar stool are made from 17x2 mm metal tubes, which are formed using CNC bending technology. The metal legs are then coated with a textured (rough) powder paint, applied at a thickness of 90 microns. This finish is durable and resistant to wear. The crossbars between the legs are made from 12 mm diameter transmission rods, also formed using CNC bending. For models with the BYP-K code, the metal legs are chrome-plated for a sleek, polished appearance.

PLASTIC SHELL

The seat shell is produced through an injection molding process, using polypropylene material, which is both durable and lightweight.

UPHOLSTERY

The backrest is upholstered with 10 mm thick foam with a density of 28 DNS, which is applied over the polypropylene plastic shell. The fabric or synthetic leather covering is then applied, providing a comfortable and aesthetically pleasing surface.

SEAT UPHOLSTERY

The seat features 20 mm thick foam with a density of 28 DNS, which is applied over the polypropylene plastic seat shell. The seat is then upholstered in fabric or synthetic leather, offering both comfort and durability.

ACCESSORIES

Foot Glides: The contact points between the metal legs and the floor are fitted with foot glides made from hard polypropylene plastic. These glides are designed to fit securely into the ends of the metal legs, protecting both the stool and the flooring.

USAGE AREA

The Tim Bar Chair is designed for use in executive offices, meeting rooms, and workspaces.

DESIGNER / COLLECTION

The Tim Bar Chair product group was designed by the Z Design Team as part of the 2022/2023 collection.

MATERIAL LIBRARY

You can access Zivella's library of wood, metal, fabric and artificial leather with the QR code below.

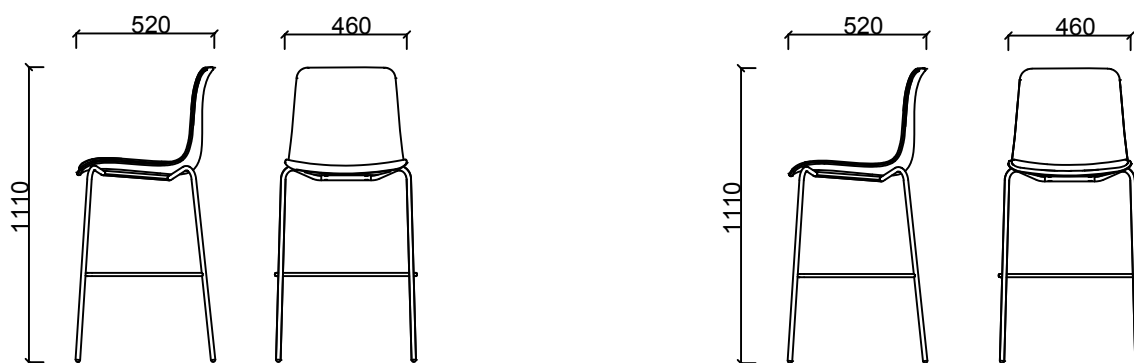


Material Catalog



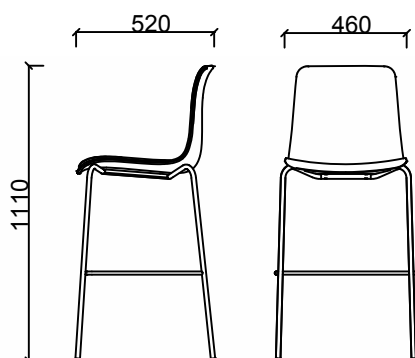
TIM BAR

DIMENSIONS



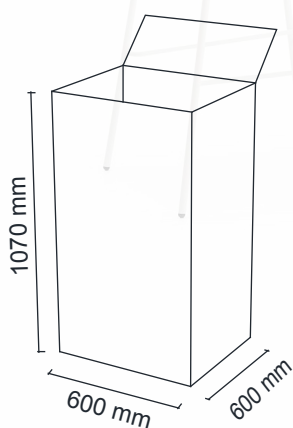
BYP160 - TIM BAR STATIC
BYP160K - TIM BAR CHROME

BYP161 - TIM-P BAR STATIC
BYP161K - TIM-P BAR CHROME



BYP162 - TIM-Y BAR STATIC
BYP162K - TIM-Y BAR CHROME

Box Dimensions



Unit of measurement is millimeters.