

TAMI WORKING CHAIR

Technical Data Sheet





TAMI WORKING CHAIR

Designer : Z Design Team

Tami is both brand new and very familiar... With a strong visual style, Tami adds elegance to offices with its simple and flexible design, while its ergonomically designed mesh It provides a comfortable and healthy posture with backrest and lumbar support.

EXPLANATIONS

STAR LEG

Star leg; Hard plastic resistant to impacts and scratches material or aluminum injection molding with chrome plated surface. It is a 5 star leg manufactured.

There are white or black color alternatives for plastic leg.

MECHANISM

Lockable at 3 different lying points, height adjustable and movement stiffness is adjustable, double arm tilt mechanism.

Shock absorber: Conical fitting system to the leg and mechanism, desired imported gas, class4 shock absorber that can be fixed at seat height.

SEAT - BACK

The seat is manufactured by plastic injection method in special molds 5cm thick 35 HR sponge and 28 HR sponge on the plastic cover under the seat. Upholstery with 1cm thick gray sponge with DNS density is made.

The back is manufactured by plastic injection method in special molds. The frame is upholstered with a mesh fabric. At the waist made of plastic material to provide an ergonomic seat. There is a lumbar support with up-and-down mobility. White or black color alternatives for seat and back plastic are available.

ARM

Armrest, height adjustable via push button, forward-backward movement capable; armrest area with polyurethane pad, resistant to bumps and scratches rigid polypropylene rigid polypropylene movable armrest or plastic. There is a fixed armrest made of material.

ACCESSORIES

Wheel 11mm all-rotating hard plastic material with circlip manufactured, 50mm diameter casters.

AREA OF USE

Tami Working Chair, designed for the executive suites, workspaces, offices and other workspaces areas.

COLLECTION

The Tami Working Chair is designed for the 2022/2023 collection.

MATERIAL LIBRARY

Zivella has a library of wood, metal, fabric and artificial leather, including you can reach with a QR code.



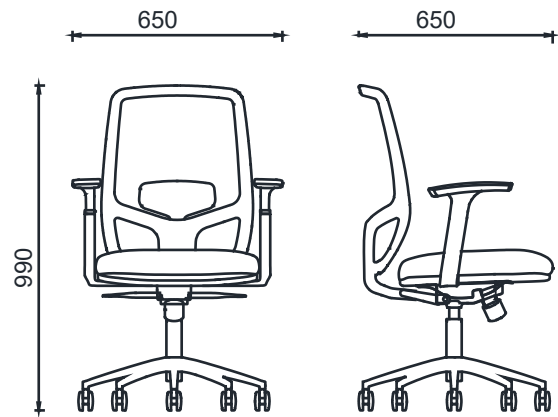
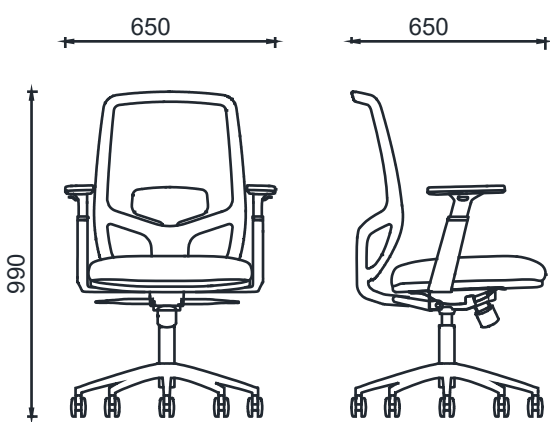
Material Catalog





TAMI WORKING CHAIR

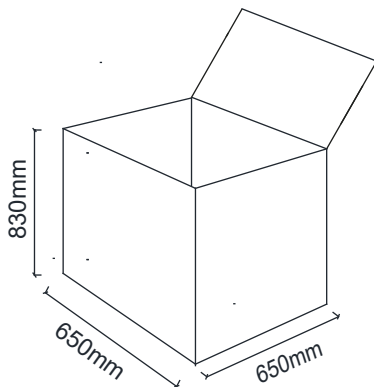
SIZE



BRK47110S - TAMI WORKING CHAIR BLACK (Adjustable Arm-Plastic Leg)
 BRK47120S - TAMI WORKING CHAIR BLACK(Adjustable Arm-Alm. Leg)
 BRK47110B - TAMI WORKING CHAIR WHITE (Adjustable Arm-Plastic Leg)
 BRK47120B - TAMI WORKING CHAIR WHITE (Adjustable Arm-Alm. Leg)

BRK47111S - TAMI WORKING CHAIR BLACK (Fixed Arm-Plastic Leg)
 BRK47121S - TAMI WORKING CHAIR BLACK (Fixed Arm-Alm. Leg)
 BRK47111B - TAMI WORKING CHAIR WHITE (Fixed Arm-Plastic Leg)
 BRK47121B - TAMI WORKING CHAIR WHITE (Fixed Arm-Alm. Leg)

Box Size



The unit of measure is millimeter.