

# STOL

Technical Data Sheet





# STOL

Designer: Alp Nuhođlu

With its symmetrical, durable structure and rich color options, the eye-catching new element of fast paced work days.

## DESCRIPTIONS

---

### LEG

The product metal structure is made of Q28mm diameter 2mm wall thickness pipe leg, Q22x1.5mm and Q17x1.5mm pipe profile records. The legs and joints are assembled and packaged in a disassembled manner.

The legs are assembled with the under seat plate and joints and finally the seat is mounted to the metal structure with fasteners. Legs are painted with electrostatic powder paint. Chroming surface process is applied to the leg joints.

### FRAME

The bar seat is manufactured by laying CNC cut 8mm Raw MDF materials. It is mounted to the legs with the seat bottom sheet. The seat is upholstered with 2 cm thick 28DNS Gray sponge and 1.2 cm thick 14DNS White sponge and fabric.

### ACCESSORY

Under the metal feet, a curved hard plastic inner insert glide is used to prevent contact with the ground.

### AREA OF USE

Stol Bar Chair is designed for interiors such as office rooms, meeting rooms.

### DESIGNER / COLLECTION

Stol Bar Chair was designed by Alp Nuhođlu. It was designed for 2022/2023 collection.

### MATERIAL LIBRARY

You can access Zivella's library of wood, metal, fabric and artificial leather with the QR code below.

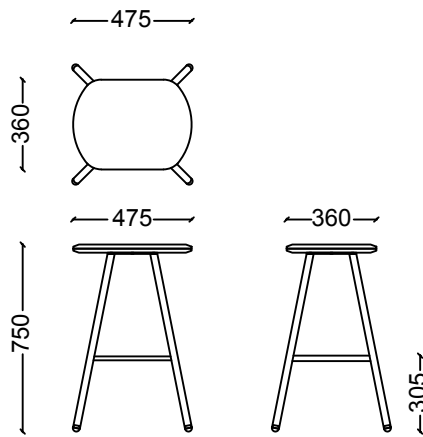


*Material Library*



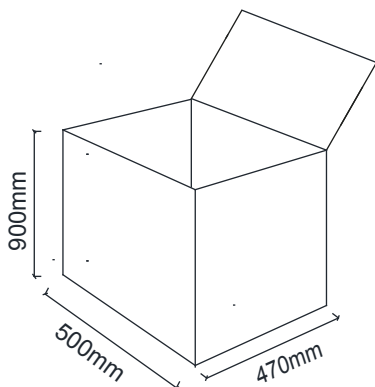
# STOL

## MEASUREMENTS



BRK360 - STOL BAR

## Parcel Measurements



Unit of measurement is millimeters.