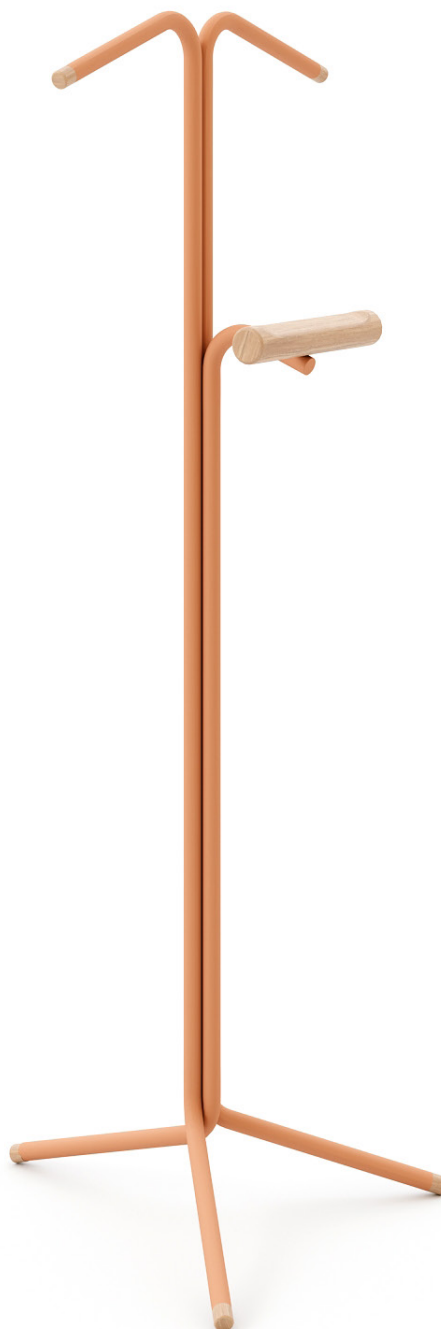
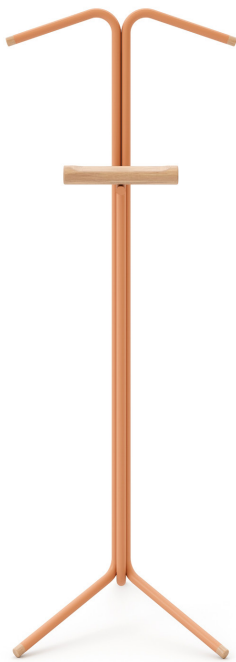


# SQUID MUTE SERVANT

Technical Data Sheet





## SQUID MUTE SERVANT

Designer: Selami Gündüzeri

The Squid Hanger family is inspired by the elegant and dynamic form of a squid. The long, flowing lines and sea-compatible shape of the squid are reflected in the aesthetic structure of the hanger. The branch-like lines of the rack provide ease of use while also adding a modern and unique touch to your space. The squid's natural movement and flexibility create both a functional and aesthetic balance in the design of this hanger. It offers both a stylish storage solution and an elegant marine-inspired touch for your space.

### DESCRIPTION

#### METAL STRUCTURE

The body is made from Q19 mm diameter, 1.5 mm thick DKP pipe, and 50x5 mm lam. It is shaped using CNC bending with special molds.

All metal parts are coated with 90-micron thick electrostatic powder coating with a textured finish.

#### WOOD

The product features polished ash wood caps where it contacts the floor and at the hook ends.

The hooks are also made from polished ash wood, produced using a lathe method to enable the hanging function.

#### USAGE AREA

The Squid Mute Servant is designed for indoor spaces such as executive offices, meeting rooms, workspaces, and common areas.

#### DESIGNER / COLLECTION

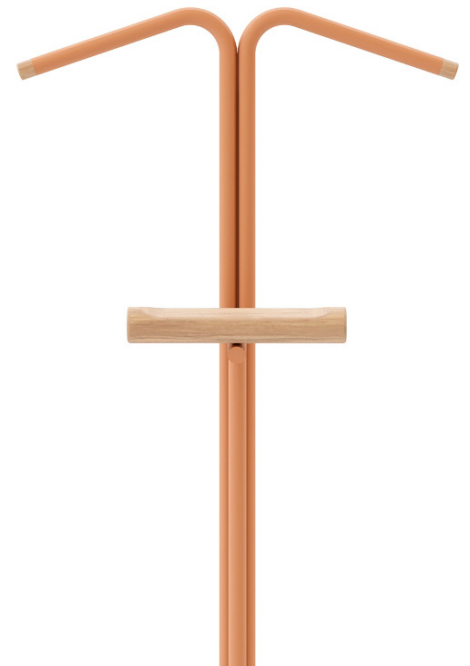
The Squid product group was designed by Selami Gündüzeri for the 2025/2026 collection.

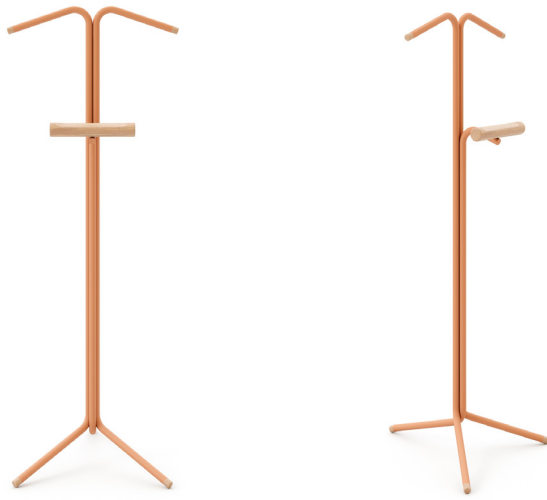
#### MATERIAL CATALOG

Zivella's material catalog, including wood, metal, fabric, and synthetic leather, can be accessed via the QR code below.



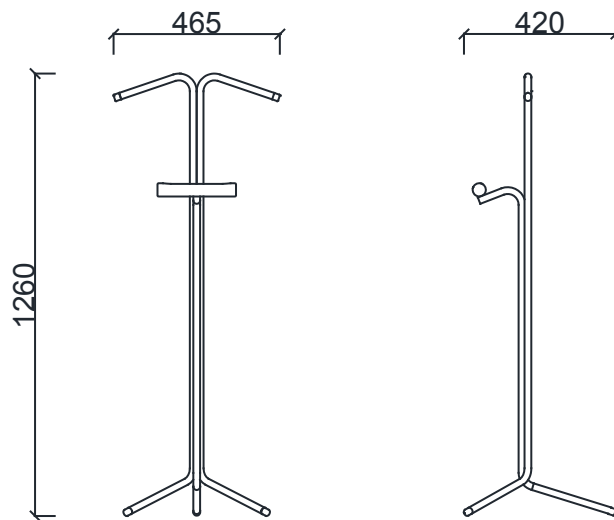
Material Catalog





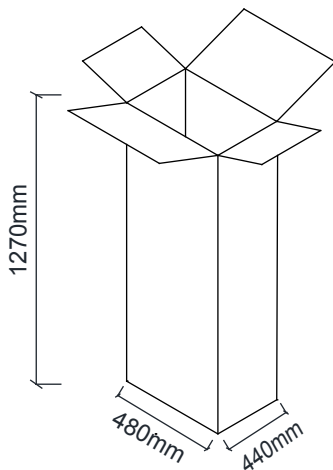
## SQUID MUTE SERVANT

### DIMENSIONS



SQD125 - SQUID MUTE SERVANT

### Box Dimensions



Unit of measurement: Millimeters