

# SAR LOUNGE

Technical Data Sheet





## SAR LOUNGE

Designer: Z Design Team

The Sar Lounge Chair is designed to create warm and friendly waiting areas. With its deep seat, back cushion and body that surrounds the person on both sides, it offers an embracing and intimate experience.

### DESCRIPTIONS

---

#### FRAME - UPHOLSTERY

The frame is made of polyurethane molded foam with a density of 55 kg/m<sup>3</sup> shaped in special molds.

Metal tubes and propeller shafts and CNC machine-cut MDF materials are used in the polyurethane inner frame.

5 cm thick 35HR foam is used on 18 mm thick CNC machine-cut melamine material on the seat and 1 cm thick gray sponge is used in the center section.

On the backrest, a back cushion filled with bead fiber foam is used as lumbar support.

#### WOODEN STRUCTURE

The Wooden Leg is made of 2nd class kiln-dried ash solid wood produced with a Q40 mm diameter lathe.

Felt base nail tack made of rigid plastic material are located under the bottom of the product that is in contact with the ground.

Double coat polyurethane finish with flat varnish or lacquered paint on top of triple coat of polyurethane filling varnish are applied on the wooden surface to provide protection against external factors and for enhancing durability.

#### ACCESSORY

A felt nail foot glide made of hard plastic material is used where the product comes into contact with the ground.

#### AREA OF USE

is designed for waiting areas, office rooms and home interiors.

#### DESIGNER / COLLECTION

Sar Lounge was designed by Z Design Team. It was designed for 2022/2023 collection.

#### MATERIAL LIBRARY

You can access the wood, metal, fabric and artificial leather library with the following QR code.

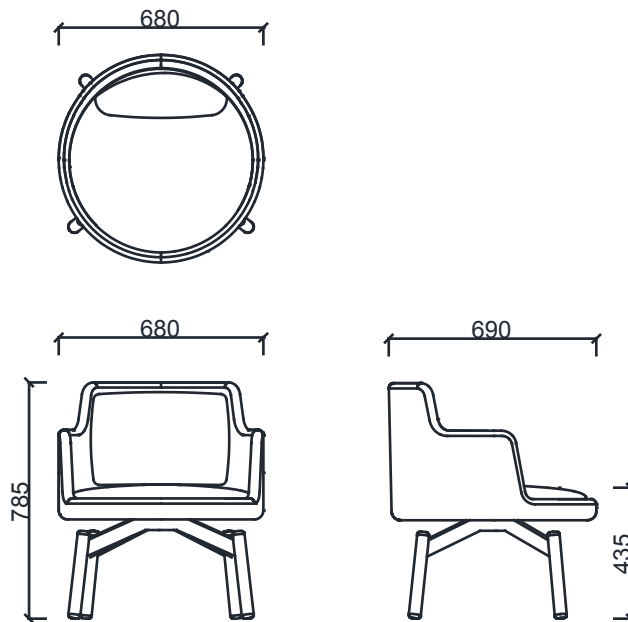


*Material Library*



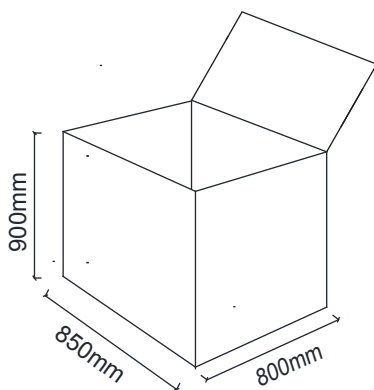
## SAR LOUNGE

### MEASUREMENTS



BRK2080 - SAR LOUNGE

### Parcel Measurements



Unit of measurement is millimeters.