

# SALT

Technical Data Sheet





# SALT

Designer: Z Design Team

Salt series sofas are available in single, double, and triple seating. They may be artificial leather or fabric upholstered.

## DESCRIPTIONS

### STRUCTURE - UPHOLSTERY

Metal profile of 20\*20 mm with wall thickness of 1,5, 30 mm particleboard, and 15 mm poplar plywood.

Soft grey sponge of 32kg/m<sup>3</sup> with a thickness of 8 cm for seats, soft grey sponge of 32kg/m<sup>3</sup> with a thickness of 5 cm for backrest, and Hard grey sponge of 28kg/m<sup>3</sup> with a thickness of 1 cm for armrests.

### METAL LEGS - ARMREST

Metal profile legs of 20\*20 mm, oven-dried beech timber frame of tertiary grade, armrests upholstered with fabric or leather on hard grey sponge of 28kg/m<sup>3</sup> with a thickness of 1 cm on 30 mm particleboard.

### ACCESSORY

A felt nail foot glide made of hard plastic material is used where the product comes into contact with the ground.

### AREA OF USE

Salt is designed for waiting areas, office rooms and home interiors.

### DESIGNER / COLLECTION

Salt was designed by Alp Nuhuđlu. It was designed for 2018-2019 collection.

### MATERIAL LIBRARY

You can access the wood, metal, fabric and artificial leather library with the following QR code.

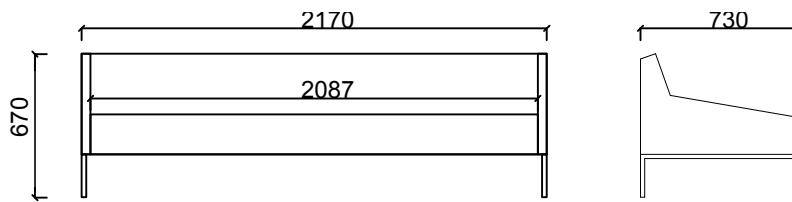


Material Library

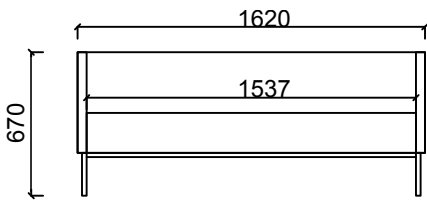


# SALT

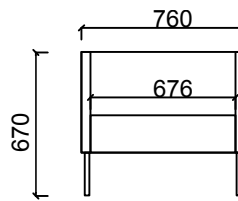
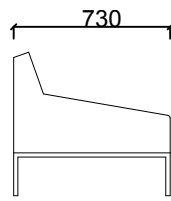
## MEASUREMENTS



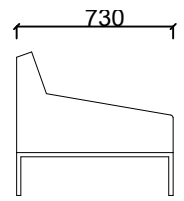
BRK1503 - SALT TRIPLE



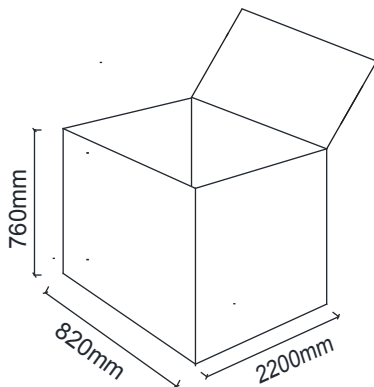
BRK1502 - SALT DOUBLE



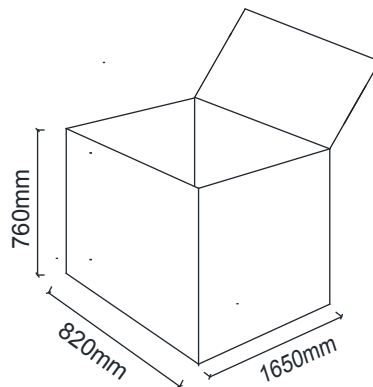
BRK1501 - SALT SINGLE



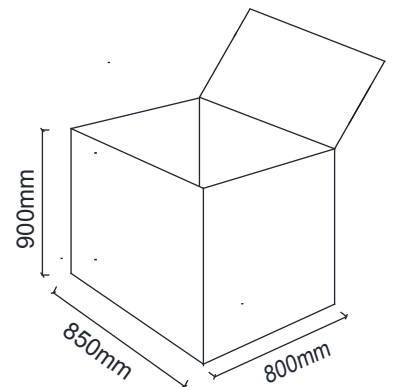
### Salt Triple Parcel Measurements



### Salt Double Parcel Measurements



### Salt Single Parcel Measurements



Unit of measurement is millimeters.