

SAL COFFEE TABLE GROUP

Technical Data Sheet





SAL COFFEE TABLE GROUP

Designer: Z Design Team

Designed with a finely considered design and delicate yet strong lines, the Sal Coffee Table Group adds richness to any space it occupies. Its slender metal legs and elegant body create a perfect harmony.

EXPLANATIONS

METAL LEGS

The metal legs are made from Q13 mm diameter metal tubes, bent using CNC technology in special molds. The connection between the metal legs and the tabletop is made using 2 mm thick perforated metal sheets. All metal parts are coated with a 90-micron thick textured (pebbled) electrostatic powder paint. The metal parts can be painted in any static color from the Zivella Metal Color Catalog.

WOODEN TABLETOP

The tabletop is made from 8 mm thick particle board, melamine-coated on both sides. All edges are protected with 1 mm thick impact-resistant PVC edging.

FEET

The feet are fixed plastic caps produced via plastic injection molding, mounted with an external fit.

USAGE AREA

The Sal Coffee Table Group is designed for indoor spaces such as executive offices, meeting rooms, workspaces, and common areas.

DESIGNER / COLLECTION

The Sal Coffee Table Group was designed by Z Design Team for the 2021/2022 collection.

MATERIAL LIBRARY

Zivella; you can access the wood, metal, fabric, and faux leather library using the QR code below.



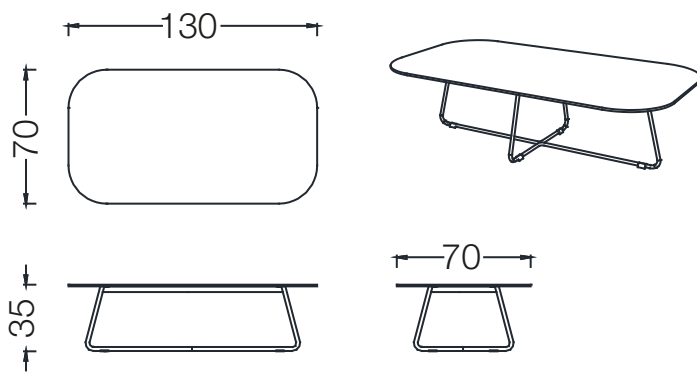
Material Catalog



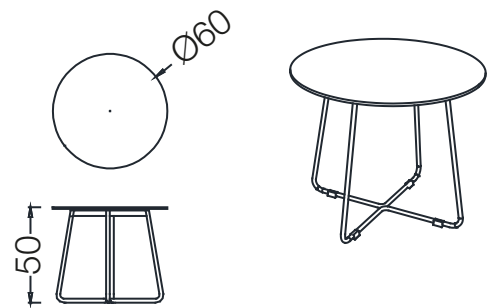


SAL COFFEE TABLE GROUP

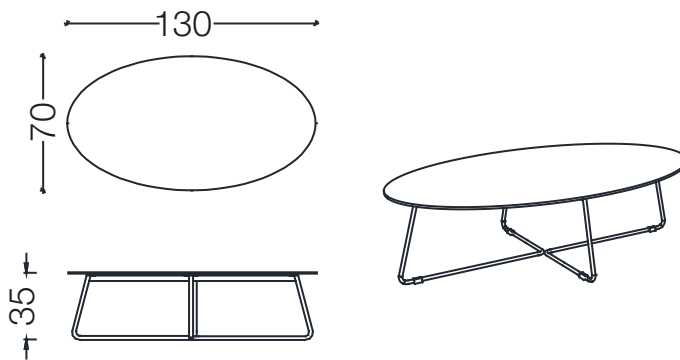
DIMENSIONS



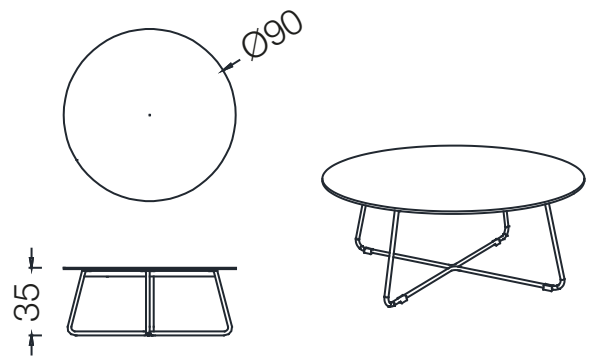
SL13070 - SAL RECTANGULAR COFFEE TABLE
(130x72x36h)



SLQ60 - SAL SAL ROUND COFFEE TABLE
(Diameter: 60x50h)



SLE13070 - SAL ELLIPTICAL COFFEE TABLE
(130x72x36h)



SLQ90 - SAL ROUND COFFEE TABLE
(Diameter: 90x36h)

Measurements are in millimeters.