

ROUNDED

Technical Data Sheet





ROUNDED

Designer: Emin Ercan

The surprising design of simplicity...

Rounded has a design that creates a comfortable sitting surface with its plain and geometric circular form. It draws attention with its iconic stance and offers a comfortable user experience with the simplicity and effective form.

DESCRIPTIONS

METAL LEG

The metal base is a metal tube made of DKP sheet with a Q25 mm dimension and a thickness of 1.5 mm. The metal base is manufactured with CNC bending in special molds.

FRAME

The frame is made of 55kg/m³ density polyurethane cast sponge shaped in special molds. Metal pipe profile and transmission shafts are used in the polyurethane inner skeleton.

ACCESSORY

Socket-type glides made of plastic material are located under the bottom of the base that is in contact with the ground.

AREA OF USE

Rounded is designed for waiting areas, office rooms and home interiors. It is intended to attract attention with its iconic stance.

DESIGNER / COLLECTION

Rounded was designed by Emin Ercan for the 2020/2021 collection.

MATERIAL LIBRARY

You can access Zivella's library of wood, metal, fabric and artificial leather with the QR code below.



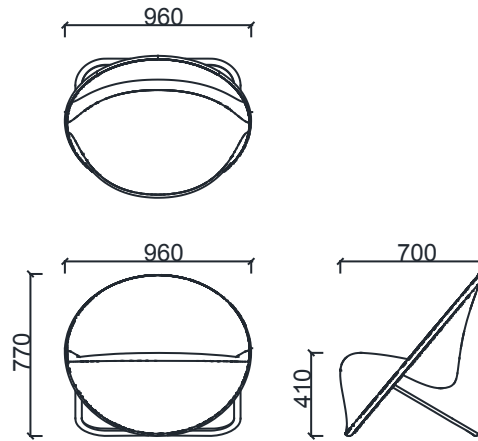
Material Library





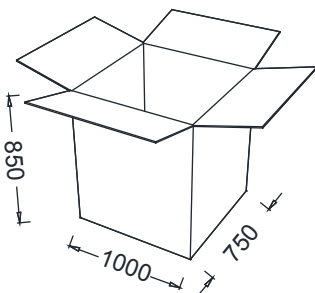
ROUNDED

MEASUREMENTS



BRK2850 - ROUNDED

Parcel Measurements



Unit of measurement is millimeters.