

# PRIME EXECUTIVE

Technical Data Sheet





# PRIME EXECUTIVE

Prime's sophisticated design not only enhances aesthetics, but also delivers high-level comfort by supporting the spine with its ergonomic and flexible two-piece back.

## DESCRIPTIONS

---

### STAR BASE

The star base is designed with five legs, made either from durable hard plastic material that resists impacts and scratches or from aluminum with a chrome-plated surface. The base provides a stable and secure foundation for the chair.

### MECHANISM

This executive chair features a dual-lever tilt mechanism that allows the user to lock the chair in one of three reclining positions. The height is adjustable, and the tension of the recline can be adjusted as well. The gas lift (pneumatic cylinder) used in the chair is a Class 4, imported unit that allows for smooth height adjustments and is securely connected to the base and mechanism.

### SEAT AND BACKREST

The seat is made from 45 kg/m<sup>3</sup> density polyurethane foam, molded using specialized molds for precise shaping. The lower part of the seat is constructed from plastic, which houses the attachment points for the foam cushion and the base. The backrest consists of a plastic frame produced through an injection molding process and is upholstered with mesh fabric. The backrest is ergonomically designed with two separate modules to support the spine. The lower module, which provides lumbar support, can be adjusted to the desired angle using a lever.

### HEADREST

The headrest is made from a plastic frame that has been injection-molded using specialized molds. It is upholstered with mesh fabric and can be adjusted up and down for optimal comfort.

### ARMREST

The armrests are adjustable in height and can move forward and backward. They feature polyurethane pads for comfort and are made from durable polypropylene material that resists impacts and scratches.

### ACCESSORIES

**Wheels:** The chair includes 50 mm diameter wheels, made from hard plastic, allowing for smooth movement in all directions.

### USAGE AREA

The Prime Executive chair is designed for executive offices, workspaces, and other office environments.

### COLLECTION

Prime Executive chair is designed for the 2023/2024 collection.

### MATERIAL LIBRARY

You can access Zivella's library of wood, metal, fabric and artificial leather with the QR code below.



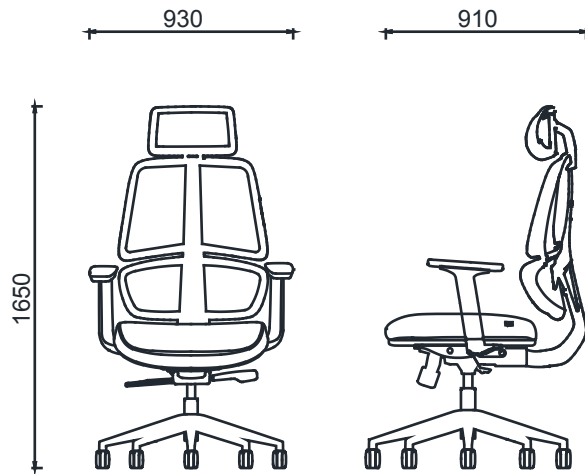
*Material Catalog*





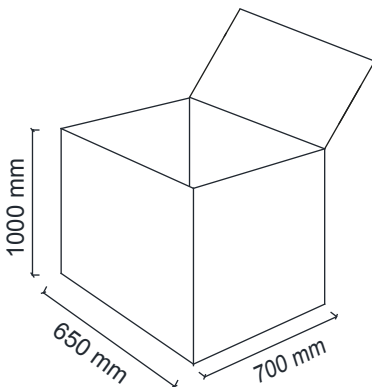
**DIMENSIONS**

**PRIME EXECUTIVE**



BRK50010 - PRIME EXECUTIVE (Plastic Base)  
BRK50020 - PRIME EXECUTIVE (Aluminum Base)

**Box Dimensions**



Unit of measurement is millimeters.