

NORM EXECUTIVE SERIES

Technical Data Sheet





NORM DESK

Designer: Z Design Team

As a timeless product independent from developing fashions and trends, Norm appeals to executives from all ages and easily adapts to the other decorative elements used in spaces. With the simplicity incorporated to its design, Norm offers an unpretentious but strong richness.

DESCRIPTION

METAL STRUCTURE

Frame: 40x40 mm 1.5 mm thick DKP metal profiles are used.
Metal Legs: 80x20 mm 1.5 mm thick and 50x20 mm 1.5 mm thick DKP metal profiles are used. The crossbars are CNC cut and bent in special metal molds, then joined with U-bent sheet metal connections. All metal parts are painted with 90-micron thick electrostatic powder coating (textured).

WOOD STRUCTURE

Melamine Option: The desk surface is made of E1 quality, 18 mm thick, impact-resistant PVC-coated particleboard, with melamine on both surfaces. A 70 mm thick reinforcement with 115 mm depth and 18 mm thick particleboard is added to the edges. The front panel is made from 18 mm thick impact-resistant PVC-coated particleboard. The drawer bottoms are made of 8 mm thick particleboard. The credenza base is made from 25 mm thick particleboard.

Lacquer Option: The desk surface is made of E1 quality, 18 mm thick MDF with lacquered wood veneer on both sides. Reinforced with 70 mm thick and 115 mm deep 18 mm MDF with wood veneer. The front panel is made of 18 mm thick lacquered MDF.

The body panels of the credenza are made from lacquered 18 mm MDF, while the doors are also made from 18 mm lacquered MDF with wood veneer. The drawer bottoms are made of 8 mm lacquered MDF.

ACCESSORIES

Felt material (3 mm thick) is used on the legs' contact surface with the floor. The connection of the desk front panel is made using CNC bent DKP sheet metal holders. The credenza uses an aluminum Gola handle system in the drawer slot. Electrostatic powder coating is applied.

ELECTRIFICATION

The credenza top is fitted with one SOLELINE BLACK module (1Socket+1USB-A/C+2Sockets+1HDMI/CAT6+1UPS).

USAGE AREA

The Norm Executive Desk is designed for executive offices.

DESIGNER / COLLECTION

The Norm Executive Series is designed by Z Design Team for the 2024/2025 collection.

MATERIAL CATALOG

Zivella's material catalog, including wood, metal, fabric, and synthetic leather, can be accessed via the QR code below.



Material Catalog





NORM CONSOLE

Designer: Z Design Team

With the simplicity incorporated to its design, Norm offers an unpretentious but strong richness.

DESCRIPTION

WOOD STRUCTURE

Melamine Option: All panels of the console are made from E1 quality, 18 mm thick, impact-resistant PVC-coated particleboard. The drawer bottoms are made of 8 mm thick particleboard.

Lacquer Option: The body panels of the console are made from 18 mm thick MDF, lacquered. The console doors and drawer faces are made from E1 quality 18 mm MDF with lacquered wood veneer. The drawer bottoms are made of 8 mm lacquered MDF.

METAL LEGS

The console legs are made from 50x20 mm 1.5 mm thick DKP metal profiles. All metal parts are painted with 90-micron thick electrostatic powder coating (textured).

ACCESSORIES

The console's external body is joined using Lamello Clamex P connectors, with 45° angles. Other body connections are made with M68mm diameter, 10 mm minifix metal connection mechanisms and 832 mm plastic dowels. Each door is equipped with a slow-close, spring-loaded Hafele brand hinge. The drawer handle slots use an aluminum Gola handle system with electrostatic powder coating. Felt material (3 mm thick) is used on the legs' contact surface with the floor.

USAGE AREA

The Norm Executive Console is designed for executive offices.

DESIGNER / COLLECTION

The Norm Executive Series is designed by Z Design Team for the 2024/2025 collection.

MATERIAL CATALOG

Zivella's material catalog, including wood, metal, fabric, and synthetic leather, can be accessed via the QR code below.



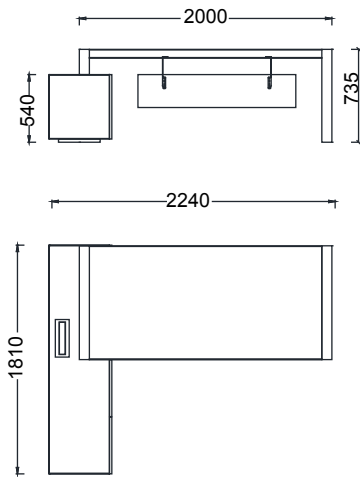
Material Catalog





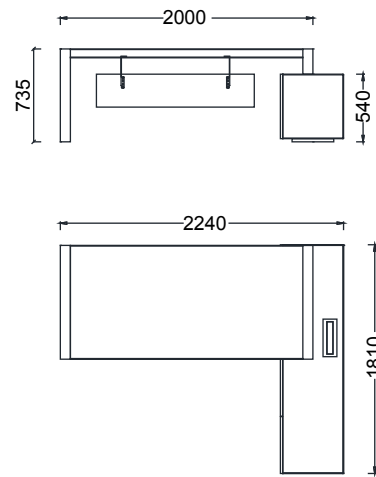
NORM DESK

DIMENSIONS



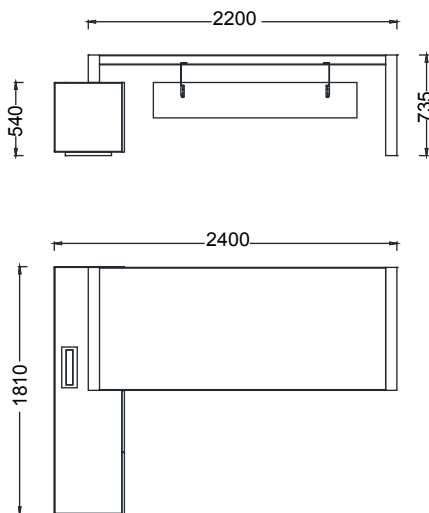
NEMO20090S - NEW NORM LEFT CREDENZA DESK
200X90 (Melamine)

NEMO20090L - NEW NORM LEFT CREDENZA DESK
200X90 (Lacquered)



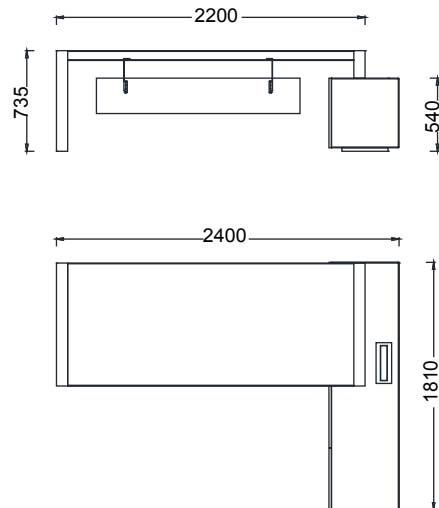
NEMA20090S - NEW NORM RIGHT CREDENZA DESK
200X90 (Melamine)

NEMA20090L - NEW NORM RIGHT CREDENZA DESK
200X90 (Lacquered)



NEMO22090S - NEW NORM LEFT CREDENZA
DESK 220X90 (Melamine)

NEMO22090L - NEW NORM LEFT CREDENZA
DESK 220X90 (Lacquered)



NEMA22090S - NEW NORM RIGHT CREDENZA DESK
220X90 (Melamine)

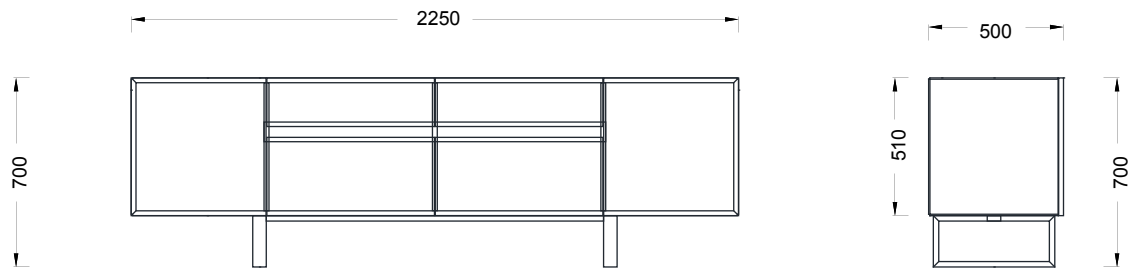
NEMA22090L - NEW NORM RIGHT CREDENZA DESK
220X90 (Lacquered)

Unit of measurement: Millimeters



NORM CONSOLE

DIMENSIONS



NE25050S - NEW NORM CONSOLE (Melamine)

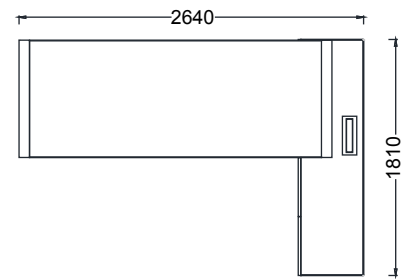
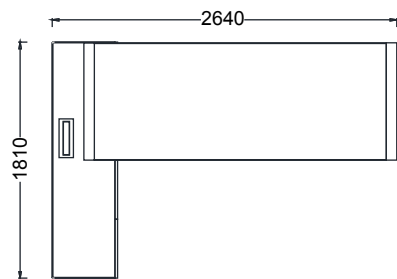
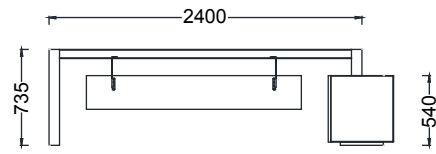
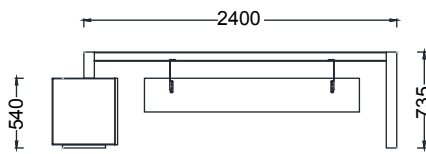
NE25050L - NEW NORM CONSOLE (Lacquered)

Unit of measurement: Millimeters



NORM DESK

DIMENSIONS



NEMO24090S - NEW NORM LEFT CREDENZA DESK
240X90 (Melamine)

NEMA24090S - NEW NORM RIGHT CREDENZA DESK
240X90 (Melamine)

NEMA24090L - NEW NORM LEFT CREDENZA DESK
240X90 (Lacquered)

NEMA24090L - NEW NORM RIGHT CREDENZA DESK
240X90 (Lacquered)

Unit of measurement: Millimeters