

NORD

Technical Data Sheet





NORD

Designer: Alp Nuhođlu

Revealing the power of design, Nord arouses admiration for the mastery of its craftsmanship. The wooden detail that completes the backrest adds a rich visuality to the product from different angles.

DESCRIPTIONS

FRAME

The frame is made of polyurethane molded foam with a density of 55 kg/m³ shaped in special molds. Metal tube profile and transmission shafts are used in the polyurethane inner frame. Gray foam over 3 cm thick foam with a density of 28 DNS on 8 mm thick MDF material is used in the backrest. It is faux leather or fabric upholstered. Wood used in the back is manufactured from 15 mm thick plywood material shaped in special molds.

WOODEN LEGS

It is manufactured by cladding 1st class kiln-dried Ash wood on a metal tube of 30*10 mm dimensions with a 1.5 mm thickness. Double coat polyurethane finish with flat varnish or lacquered paint on top of triple coat of polyurethane filling varnish are applied on the wooden surface to provide protection against external factors and for enhancing durability.

METAL LEGS

The metal base is made of DKP sheet shaped by CNC bending in special molds with a 3 mm thickness. A metal tube with a diameter of Q51 mm and a thickness of 1.5 mm is used in the middle structure.

ACCESSORY

There are bingo glides made of plastic material on the surfaces of the wooden leg in contact with the ground.

AREA OF USE

Nord is designed for waiting areas, office rooms and home interiors.

DESIGNER / COLLECTION

Nord was designed by Alp Nuhođlu. It was designed for 2020/2021 collection.

MATERIAL LIBRARY

You can access the wood, metal, fabric and artificial leather library with the following QR code.

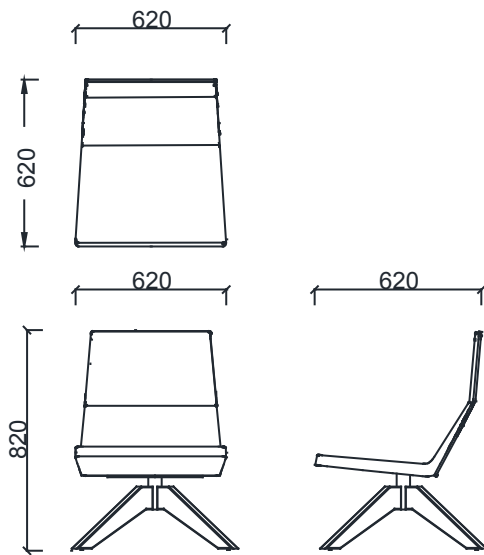


Material Library

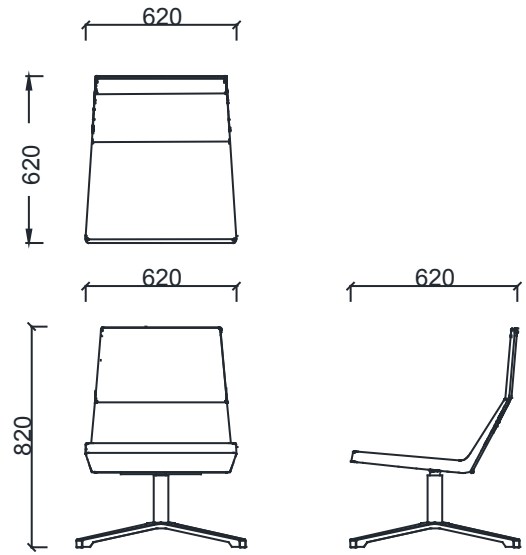


NORD

MEASUREMENTS

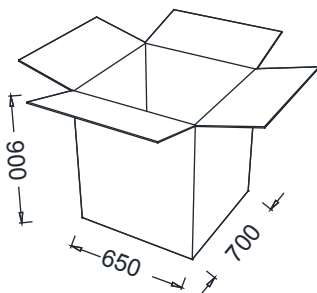


BRK1202 - NORD VERA



BRK1201 - NORD

Parcel Measurements



Unit of measurement is millimeters.