

# MIO STORAGE GROUP

Technical Data Sheet





# MIO STORAGE GROUP

Designer: Klan Studio & Z Design Team

The Mio Storage Group supports workers by simplifying work processes in offices, offering a clean, organized, and aesthetically pleasing office space to store personal items and office supplies.

## EXPLANATIONS

---

### STRUCTURE

The tabletops of the storage group are made from E1 quality, 18 mm thick melamine-coated particle board on both sides. The edges of the storage group components are protected with 1 mm thick impact-resistant PVC edging.

### CONNECTIONS

The connections are made using minifix metal connection mechanisms and plastic dowels.

### ACCESSORIES

Handles: Specially molded internal plastic handles are used.  
Feet: Specially molded fixed plastic feet are used.  
Cabinet Doors: The cabinet doors use first-quality internal spring hinges with a soft-closing (slow-down) mechanism.  
Drawers: Storage units with drawers are equipped with 40 cm long soft-closing telescopic rails.

### USAGE AREA

The Mio Storage Group is designed for workspaces in homes and offices.

### DESIGNER / COLLECTION

The Mio Storage Group was designed by Klan Studio & Z Design Team for the 2022/2023 collection.

### MATERIAL LIBRARY

Zivella; you can access the wood, metal, fabric, and faux leather library using the QR code below.

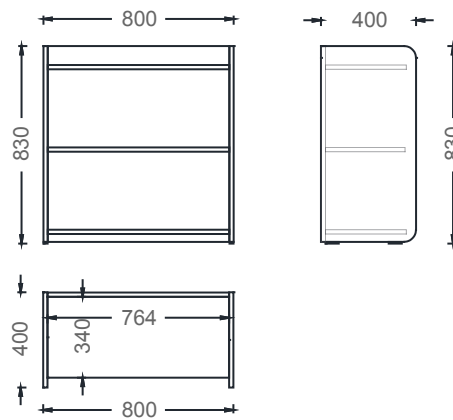


*Material Catalog*

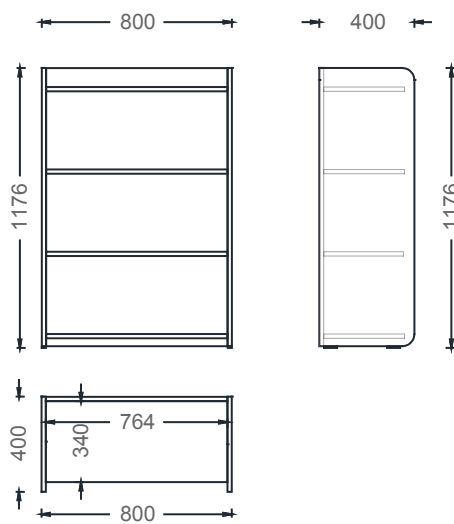


# MIO OPEN FILE CABINET

## DIMENSIONS



MRD8080 - MIO OPEN FILE CABINET (H:80)



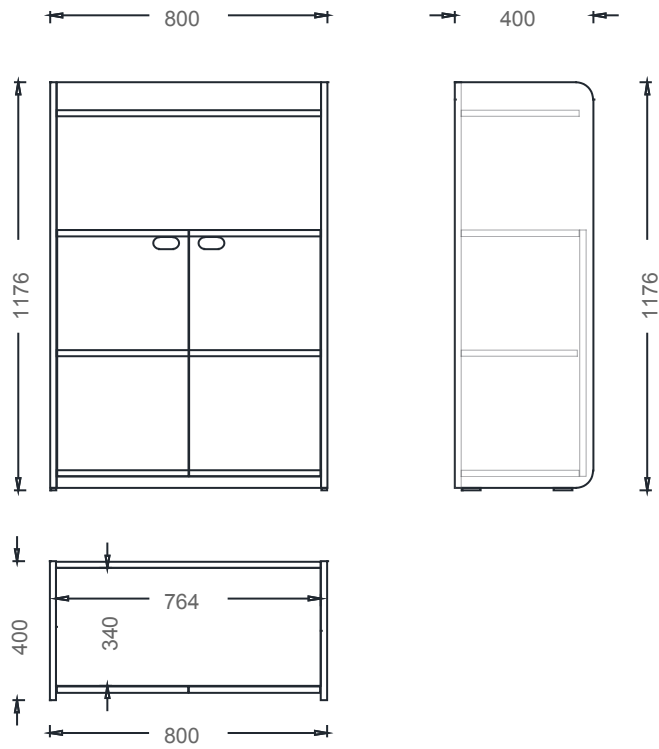
MRD80120 - MIO OPEN FILE CABINET H:120

Measurements are in millimeters.



## MIO HALF-COVERED FILE CABINET

### DIMENSIONS



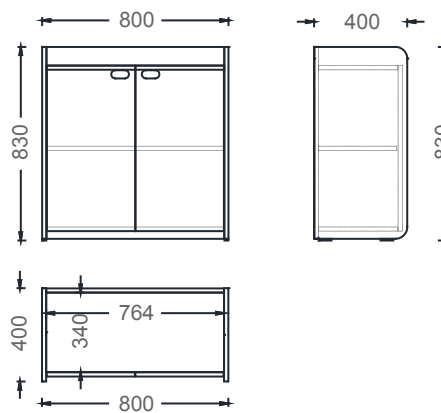
MYD80120 - MIO HALF-COVERED FILE CABINET (H:120)

Measurements are in millimeters.

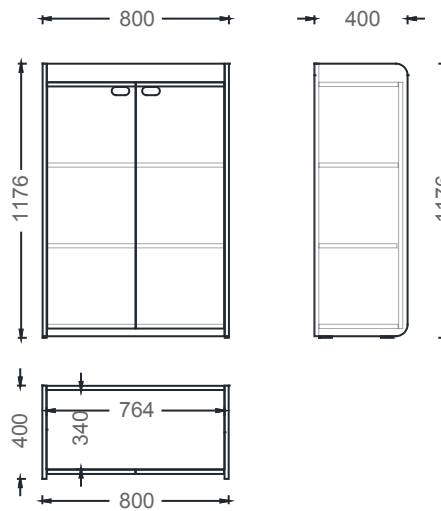


## MIO FULL-COVERED FILE CABINET

### DIMENSIONS



MTD8080 - MIO FULL-COVERED FILE CABINET H:80



MTD8120 - MIO FULL-COVERED FILE CABINET H:120

Measurements are in millimeters.