

# MILA EXECUTIVE GROUP

Technical Data Sheet





## MILA EXECUTIVE DESKS

Designer: Adnan Serbest

With a form that powerfully conveys color combinations, the Mila series offers a universal style, adding simplicity and calm to its environment with its minimalist design. Designed with sustainability and minimalism in mind, Mila provides various configurations to meet all user needs in executive offices, meeting rooms, and shared workspaces. Its disassemblable and easily packaged structure saves time, energy, materials, and labor.

### DESCRIPTION

---

#### METAL STRUCTURE

The desk legs are made from 25x25x1.5 mm metal profiles. All metal parts are coated with a 90-micron thick textured (pebbled) electrostatic powder paint. They can be painted in any static color from the Zivella Metal Color Chart.

#### WOODEN STRUCTURE

The desk top is made from 25 mm thick melamine-coated particle board. The desk top consists of three parts: the front piece, back piece, and the modesty panel. The desk top and modesty panel can be produced in all colors and patterns from the Zivella Particle Board Color Chart.

#### ACCESSORIES

Height-adjustable plastic feet, called bingo feet, are used on the bottom surface of the metal legs where they touch the ground. Two Eukon Smartbox Power Socket units are used on the desk top, one on each side, allowing the desk to be used in both right and left-handed configurations without needing separate models.

#### USAGE AREA

The Mila Executive Desks are designed for executive offices and other workspaces.

#### DESIGNER / COLLECTION

The Mila Executive Desks were designed by Adnan Serbest for the 2022/2023 collection.

#### MATERIAL LIBRARY

Zivella; you can access the wood, metal, fabric, and faux leather library using the QR code below.

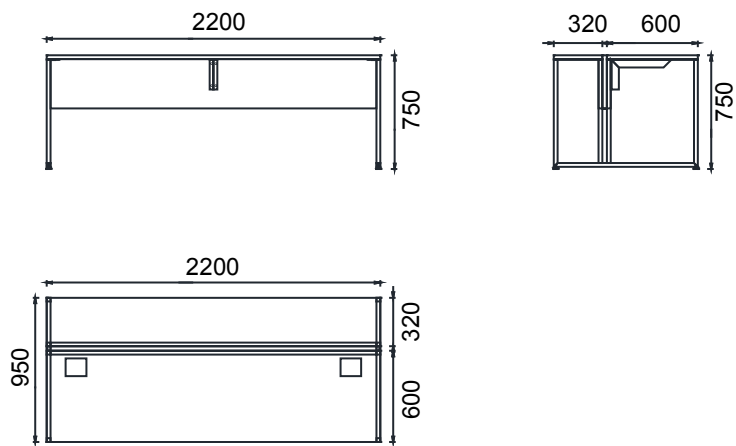


*Material Catalog*

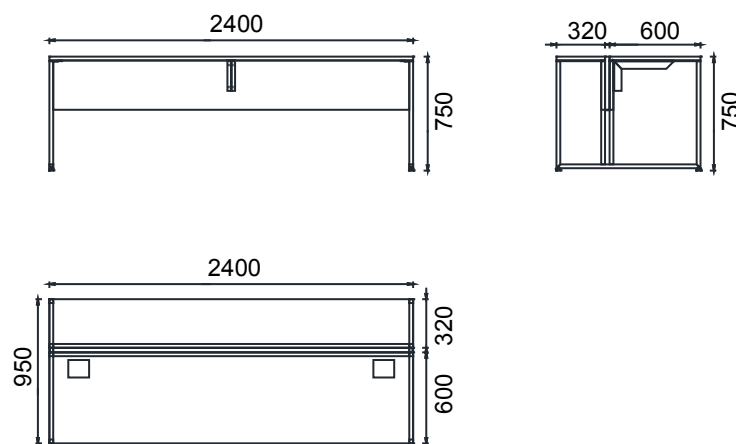


## MILA EXECUTIVE DESKS

### DIMENSIONS



MLY95220 - MILA EXECUTIVE DESK 95x220



MLY95240 - MILA EXECUTIVE DESK 95x240

Measurements are in millimeters.



## MILA SIDE UNITS

Designer: Adnan Serbest

With a form that powerfully conveys color combinations, the Mila series offers a universal style, adding simplicity and calm to its environment with its minimalist design. Designed with sustainability and minimalism in mind, Mila provides various configurations to meet all user needs in executive offices, meeting rooms, and shared workspaces. Its disassemblable and easily packaged structure saves time, energy, materials, and labor.

### DESCRIPTION

---

#### METAL STRUCTURE

The legs of the side units are made from 25x25x1.5 mm metal profiles.  
All metal parts are coated with a 90-micron thick textured (pebbled) electrostatic powder paint.  
They can be painted in any static color from the Zivella Metal Color Chart.

#### WOODEN STRUCTURE

The top surface of the side unit is made from 25 mm thick melamine-coated particle board, while the body is made from 18 mm thick particle board.  
All melamine parts can be produced in all colors and patterns from the Zivella Particle Board Color Chart.

#### ACCESSORIES

Height-adjustable bingo feet are used on the legs of the side unit.  
The drawers use push-to-open telescopic slides, so no handles are needed.  
Vertical handles made from melamine material are used on the doors, designed to match the legs in color and material.

#### USAGE AREA

The Mila Side Units are designed for office spaces and other work environments.

#### DESIGNER / COLLECTION

The Mila Side Units were designed by Adnan Serbest for the 2022/2023 collection.

#### MATERIAL LIBRARY

Zivella; you can access the wood, metal, fabric, and faux leather library using the QR code below.

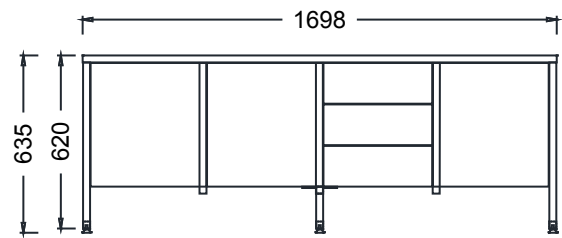
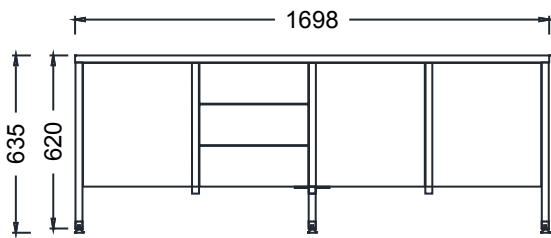
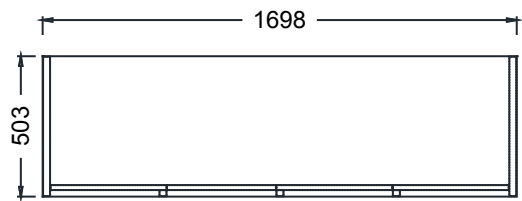
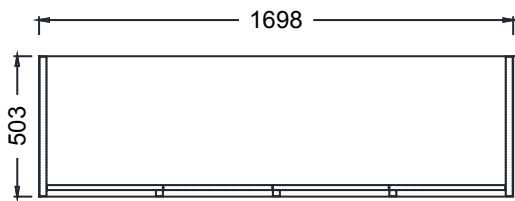


*Material Catalog*



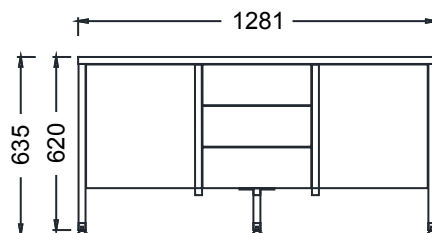
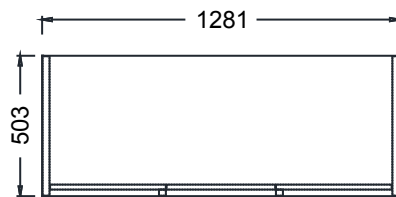
## MILA EXECUTIVE SIDE UNITS

### DIMENSIONS



MLO50170 - MILA LEFT SIDE UNIT 170x50x64h

MLA50170 - MILA RIGHT SIDE UNIT 170x50x64h



MLE50130 - MILA SHORT SIDE UNIT 128x50x64h

Measurements are in millimeters.



## MILA CONSOLE

Designer: Adnan Serbest

With a form that powerfully conveys color combinations, the Mila series offers a universal style, adding simplicity and calm to its environment with its minimalist design. Designed with sustainability and minimalism in mind, Mila provides various configurations to meet all user needs in executive offices, meeting rooms, and shared workspaces. Its disassemblable and easily packaged structure saves time, energy, materials, and labor.

### DESCRIPTION

---

#### METAL STRUCTURE

The legs of the console are made from 25x25x1.5 mm metal profiles. All metal parts are coated with a 90-micron thick textured (pebbled) electrostatic powder paint. They can be painted in any static color from the Zivella Metal Color Chart.

#### WOODEN STRUCTURE

The top and body of the console are made from 25 mm thick melamine-coated particle board. All melamine parts can be produced in all colors and patterns from the Zivella Particle Board Color Chart.

#### ACCESSORIES

The body of the console is connected using Minifix and plastic dowels. The body is attached to the metal legs using screws. Each door has two hinges, one with a soft-closing mechanism. Vertical melamine handles are used on the doors, matching the legs in color and material. Height-adjustable bingo feet are used on the legs where they touch the ground.

#### USAGE AREA

The Mila Console is designed for executive offices and meeting rooms.

#### DESIGNER / COLLECTION

The Mila Console was designed by Adnan Serbest for the 2022/2023 collection.

#### MATERIAL LIBRARY

Zivella; you can access the wood, metal, fabric, and faux leather library using the QR code below.

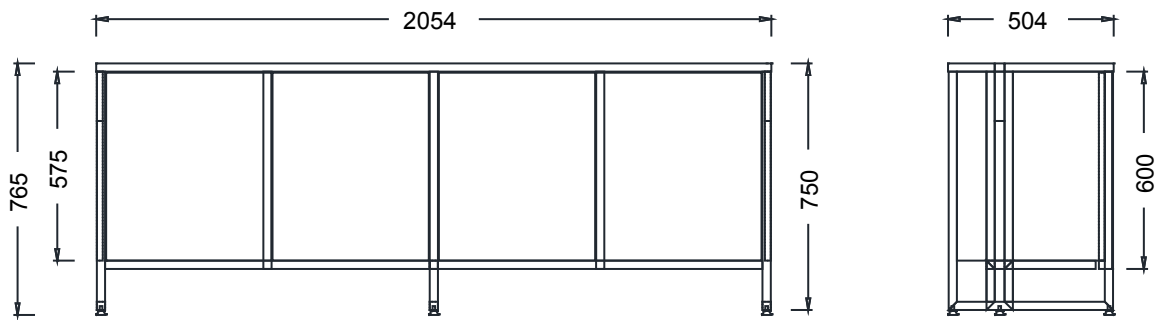


*Material Catalog*



## MILA CONSOLE

### DIMENSIONS



MLK50205 - MILA CONSOLE 205x50x75h



Measurements are in millimeters.



# MILA EXECUTIVE BOOKCASE

Designer: Adnan Serbest

With a form that powerfully conveys color combinations, the Mila series offers a universal style, adding simplicity and calm to its environment with its minimalist design. Designed with sustainability and minimalism in mind, Mila provides various configurations to meet all user needs in executive offices, meeting rooms, and shared workspaces. Its disassemblable and easily packaged structure saves time, energy, materials, and labor.

## DESCRIPTION

---

### METAL STRUCTURE

The legs of the bookcase are made from 25x25x1.5 mm metal profiles. They can be painted in any static color from the Zivella Metal Color Chart. All metal parts are coated with a 90-micron thick textured (pebbled) electrostatic powder paint.

### WOODEN STRUCTURE

The bookcase is made from 25 mm thick melamine-coated particle board. All melamine parts can be produced in all colors and patterns from the Zivella Particle Board Color Chart

### ACCESSORIES

The shelves and side panels are assembled using Minifix and plastic dowels, and they are mounted to the metal legs. Height-adjustable bingo feet are used on the legs where they touch the ground. The side panels are supported by 3 mm metal strips under the shelves, which are screwed into the metal legs.

### USAGE AREA

The Mila Bookcase is designed for executive offices and meeting rooms.

### DESIGNER / COLLECTION

The Mila Bookcase was designed by Adnan Serbest for the 2022/2023 collection.

### MATERIAL LIBRARY

Zivella; you can access the wood, metal, fabric, and faux leather library using the QR code below.



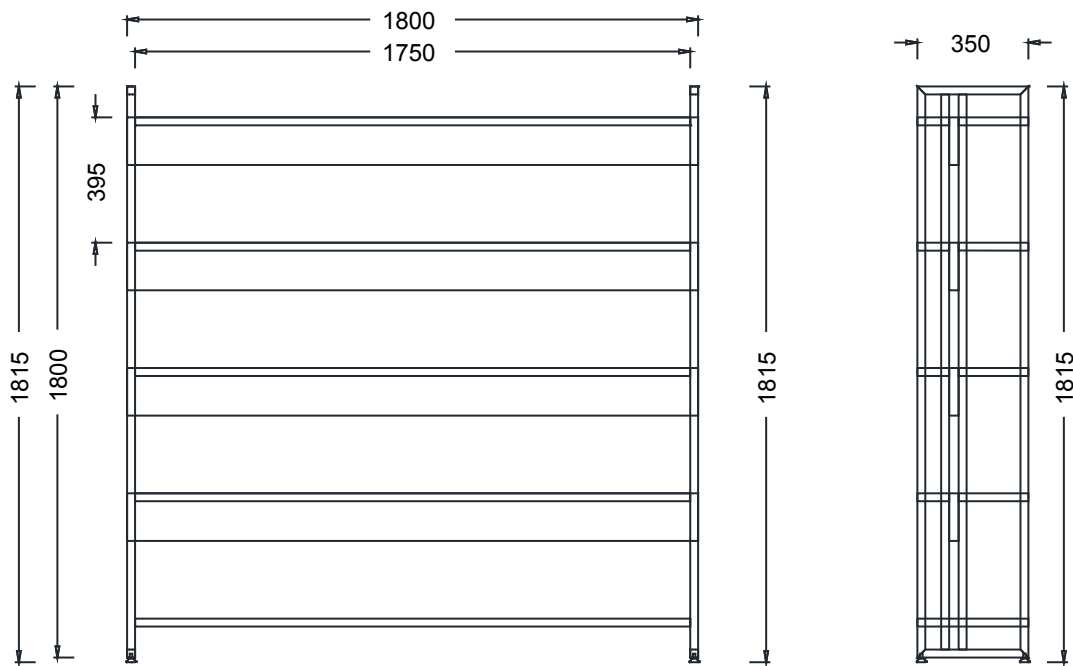
*Material Catalog*





## MILA EXECUTIVE BOOKCASE

### DIMENSIONS



MYK18035 - MILA EXECUTIVE BOOKCASE 180x35x182h



Measurements are in millimeters.