

# MAY OFFICE CHAIRS

Technical Data Sheet





## MAY OFFICE CHAIRS

Designer: Z Design Team

With its vibrant and dynamic form, May is designed in line with the characteristics of today's new generation workspaces and other spaces. Its body providing a comfortable sitting experience, moving metal legs and convenient arm rests make it an ideal chair for long-term use. Furthermore, May stands out in an otherwise ordinary office environment especially with its lively fabric colors.

### DESCRIPTIONS

---

#### LEG

The metal base is an aluminum or 5-star base with static powder coating manufactured with injection molding aluminum. Single-lever seat frame and class 4 rated and chrome-plated hydraulic cylinder are used for height adjustment of the product.

#### UPHOLSTERY

Base frame is made of flexible polyurethane foam with a density of 55kg/m<sup>3</sup> shaped in special molds. Headrest piece is made of polyurethane foam sponge with a density of 55kg/m<sup>3</sup> shaped in special molds.

#### ACCESSORY

The caster wheels are 50mm diameter wheels made of rigid plastic that can rotate in all directions with 11mm stem.

#### AREA OF USE

May Office Chairs are designed for interiors such as office rooms, meeting rooms.

#### DESIGNER / COLLECTION

May Product Group was designed by Z Design Team. It was designed for 2022/2023 collection.

#### MATERIAL LIBRARY

You can access Zivella's library of wood, metal, fabric and artificial leather with the QR code below.

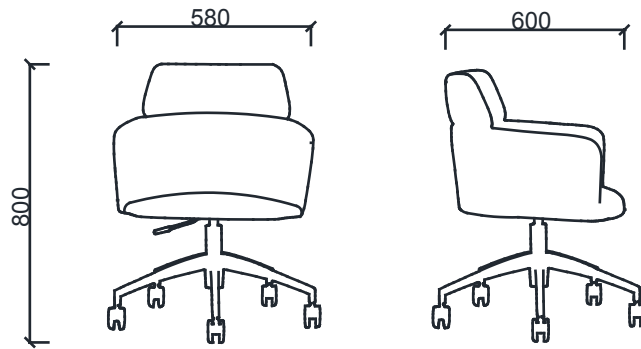


*Material Library*



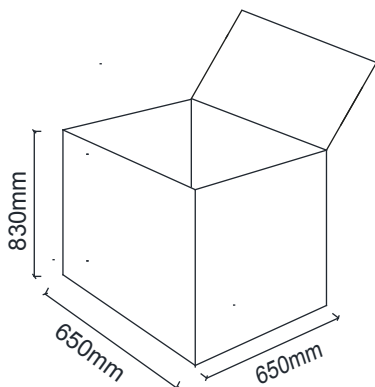
## MAY OFFICE CHAIRS

### MEASUREMENTS



BRK430 - MAY OFFICE CHAIR

### Parcel Measurements



Unit of measurement is millimeters.