

# MAY GUEST TRANSMISSION LEG

Technical Data Sheet





# MAY GUEST TRANSMISSION LEG

Designer: Z Design Team

With its vibrant and dynamic form, May is designed in line with the characteristics of today's new generation workspaces and other spaces. Its body providing a comfortable sitting experience, moving metal legs and convenient arm rests make it an ideal chair for long-term use. Furthermore, May stands out in an otherwise ordinary office environment especially with its lively fabric colors.

## DESCRIPTIONS

---

### LEG

The metal base is manufactured by shaping propeller shaft with a diameter of Q12mm with CNC bending in special molds. The base has electrostatic powder coating (oven-dying) or is chrome plated.

### UPHOLSTERY

Base frame is made of flexible polyurethane foam with a density of 55kg/m<sup>3</sup> shaped in special molds. Head piece is made of polyurethane foam sponge with a density of 55kg/m<sup>3</sup> shaped in special molds.

### ACCESSORY

Fixed to external to acquire a shoes made of hard plastic material are there on the surfaces of the bases in contact with the ground.

### AREA OF USE

May Guest Transmission Leg is designed for interiors such as office rooms, meeting rooms.

### DESIGNER / COLLECTION

May Product Group was designed by Z Design Team. It was designed for 2022/2023 collection.

### MATERIAL LIBRARY

You can access Zivella's library of wood, metal, fabric and artificial leather with the QR code below.

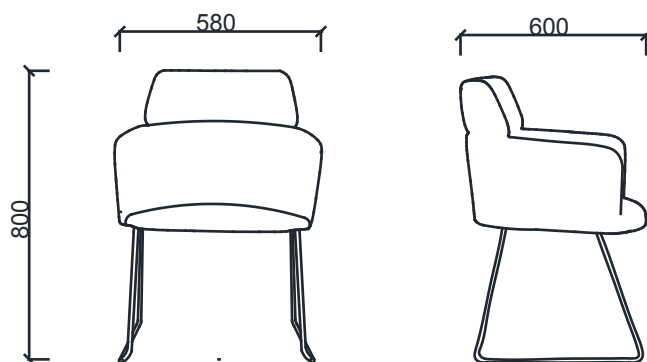


*Material Library*



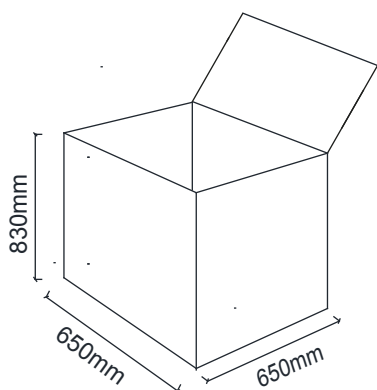
## MAY GUEST TRANSMISSION LEG

### MEASUREMENTS



BRK431 - MAY GUEST (Transmission Leg) Static  
BRK431K - MAY GUEST (Transmission Leg) Chrome

### Parcel Measurements



Unit of measurement is millimeters.