

MASS MEETING TABLES

Technical Data Sheet





MASS MEETING TABLES

Designer: Adnan Serbest

Mass offers many features to enhance communication and efficiency while maintaining a simple design. The hidden cable connection points allow for seamless presentations without cable clutter.

DESCRIPTION

METAL STRUCTURE

The table top and credenza are made from MDF material, either with lacquered paint or polished wood veneer.

The table body and writing surface are upholstered with artificial leather or painted with lacquer.

The table base is made from lacquered MDF material.

WOODEN STRUCTURE

Inside the table legs of rectangular tables, there are metal profiles sized 80x80x2 mm and 40x20x1.5 mm. For square tables, the profiles are 120x120x3 mm, and for round tables, the profiles are Q114x3 mm.

Underneath the table top, rectangular tables have 30x30x1.5 mm metal profiles and 80x10 mm metal plates, while square and round tables have 50x10 mm metal plates.

All metal parts are painted with a 90-micron thick textured (pebbled) electrostatic powder paint.

ACCESSORIES

Rectangular meeting tables include 1 hidden-line press-open socket system (3 power outlets + 1 USB + 1 HDMI).

Square and round meeting tables have a press-open mechanism for the socket box, allowing cable exits and entries to be made through the table legs.

Height-adjustable plastic feet (bingo feet) are used under the metal legs to prevent direct contact with the floor.

USAGE AREA

Mass Meeting Tables are designed for meeting rooms.

DESIGNER / COLLECTION

Mass Meeting Tables were designed by Adnan Serbest for the 2022/2023 collection.

MATERIAL LIBRARY

Zivella; you can access the wood, metal, fabric, and faux leather library using the QR code below.

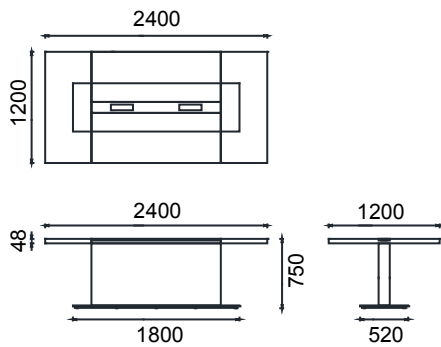


Material Catalog

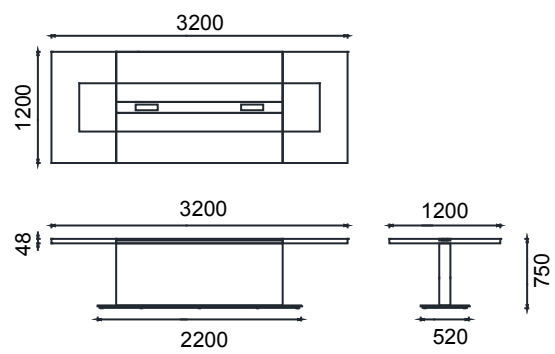


MASS RECTANGULAR MEETING TABLES

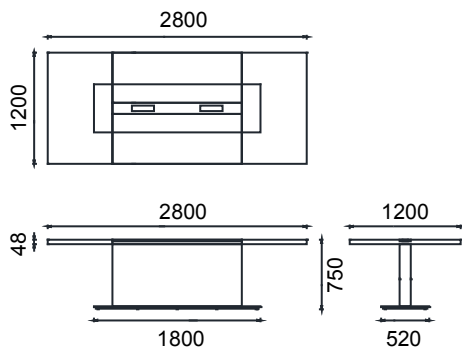
DIMENSIONS



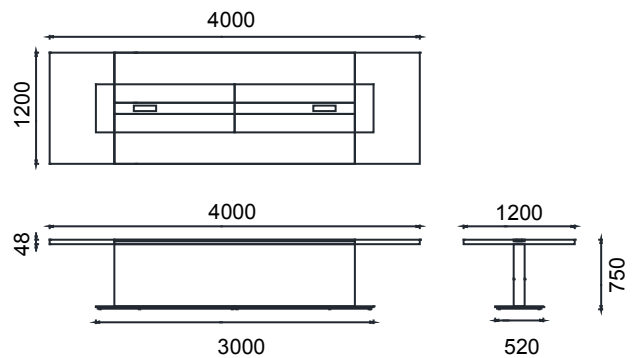
MST240120 - MASS 240 RECTANGULAR MEETING TABLE (LACQUER-LEATHER)
MKT240120 - MASS 240 RECTANGULAR MEETING TABLE (VENEER-LACQUER)



MST320120 - MASS 320 RECTANGULAR MEETING TABLE (LACQUER-LEATHER)
MKT320120 - MASS 320 RECTANGULAR MEETING TABLE (VENEER-LACQUER)



MST280120 - MASS 280 RECTANGULAR MEETING TABLE (LACQUER-LEATHER)
MKT280120 - MASS 280 RECTANGULAR MEETING TABLE (VENEER-LACQUER)



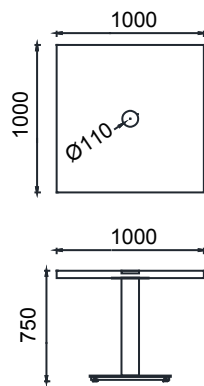
MST400120 - MASS 400 RECTANGULAR MEETING TABLE (LACQUER-LEATHER)
MKT400120 - MASS 400 RECTANGULAR MEETING TABLE (VENEER-LACQUER)

Measurements are in millimeters.

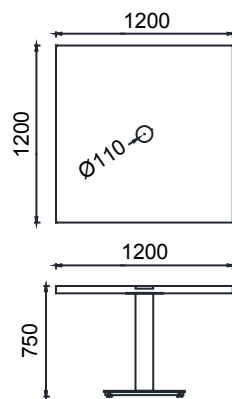


MASS SQUARE MEETING TABLES

DIMENSIONS



MST100100 - MASS 100 SQUARE MEETING TABLE (LACQUER-LEATHER)
MKT100100 - MASS 100 SQUARE MEETING TABLE (VENEER-LACQUER)



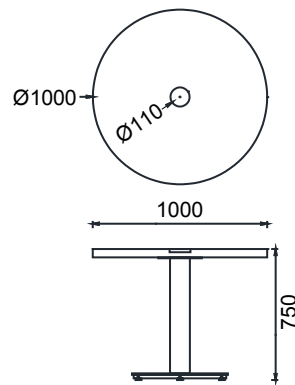
MST120120 - MASS 120 SQUARE MEETING TABLE (LACQUER-LEATHER)
MKT120120 - MASS 120 SQUARE MEETING TABLE (VENEER-LACQUER)

Measurements are in millimeters.

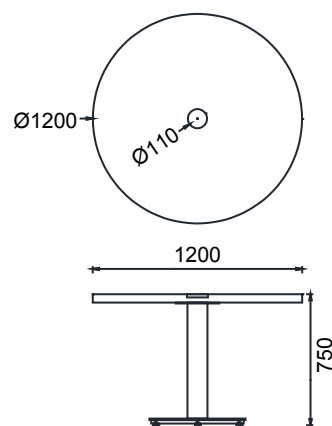


MASS ROUND MEETING TABLES

DIMENSIONS



MSTQ100 - MASS 100 ROUND MEETING TABLE (LACQUER-LEATHER)
MKTQ100 - MASS 100 ROUND MEETING TABLE (VENEER-LACQUER)



MSTQ120 - MASS 120 ROUND MEETING TABLE (LACQUER-LEATHER)
MKTQ120 - MASS 120 ROUND MEETING TABLE (VENEER-LACQUER)

Measurements are in millimeters.