

LUNA WAITING U BASE

Technical Data Sheet





LUNA WAITING U BASE

Designer: Z Design Team

The Luna product family provides efficiency in modern workspaces with its linear lines and minimalist form.

DESCRIPTION

METAL BASES

The legs are made from DKP pipes with a diameter of 25mm and a thickness of 2mm..

The legs are painted with black electrostatic powder coating, while the products with the code BRK54210K undergo chrome surface treatment.

SEAT

The seat is made from molded plywood with a 5cm thick 35 HR CNC-cut foam cushion, upholstered in fabric or leather.

BACKREST

The backrest is made from injection-molded plastic with a plastic frame, covered with mesh fabric.

ACCESSORIES

Foot Pad: A plastic slip-on foot pad is used to prevent contact with the floor for Q25 pipes under the metal legs.

USAGE AREA

The Luna Waiting U Base is designed for workspaces such as executive offices and general office areas.

DESIGNER / COLLECTION

The Luna product group was designed by Z Design Team for the 2023/2024 collection.

MATERIAL CATALOG

Zivella's material library for wood, metal, fabric, and synthetic leather can be accessed via the following QR code.

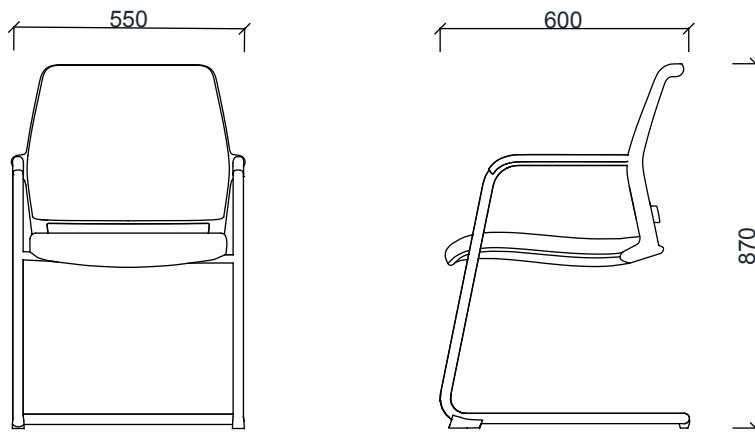


Material Catalog



LUNA WAITING U BASE

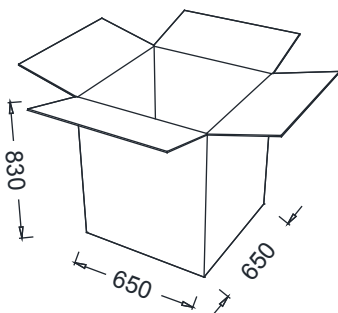
DIMENSIONS



BRK54210- LUNA WAITING U BASE
(Black Painted Base)

BRK54210K- LUNA WAITING U BASE
(Chrome Base)

Box Dimensions



Unit of measurement is millimeters.