

# LUNA EXECUTIVE CHAIR

Technical Data Sheet





# LUNA EXECUTIVE CHAIR

Designer: Z Design Team

The Luna product family provides efficiency in modern workspaces with its linear lines and minimalist form.

## DESCRIPTION

### STAR BASE

The star base is made from a 5-point star base crafted from impact- and scratch-resistant hard plastic.

### MECHANISM

The multi-system mechanism with a wire remote. The left button controls the seat slide, while the right button controls the locking and seat height (up and down).

Gas Lift: The gas lift is imported, with a conical coupling system, which can be fixed at the desired sitting height.

### SEAT-BACK

The seat is made with molded plywood covered in foam upholstery, with fabric or leather finish. The plastic seat cover is made with plastic injection molding, serving as a base cover for the seat.

The backrest is made using plastic injection molding, covered with mesh fabric on a plastic frame. There is a lumbar support made of polyurethane pad material for ergonomic seating at the lower back.

### HEADREST

The headrest is made with a plastic injection-molded frame that can move in two directions, covered with mesh fabric. There is an integrated hanger, made with plastic injection molding.

### ARMREST

The armrest is adjustable in height via a button, with forward-backward and side-to-side movement. The armrest area is made of polyurethane pads, crafted from impact-resistant and scratch-resistant polypropylene plastic.

### ACCESSORY

Castors: The wheels are 60x25mm in diameter, made of hard plastic with a segment system, capable of swiveling in all directions.

### USAGE AREA

The Luna Executive Chair is designed for workspaces such as executive offices and general office areas.

### DESIGNER / COLLECTION

The Luna product group was designed by Z Design Team for the 2023/2024 collection.

### MATERIAL CATALOG

Zivella's material library for wood, metal, fabric, and synthetic leather can be accessed via the following QR code.



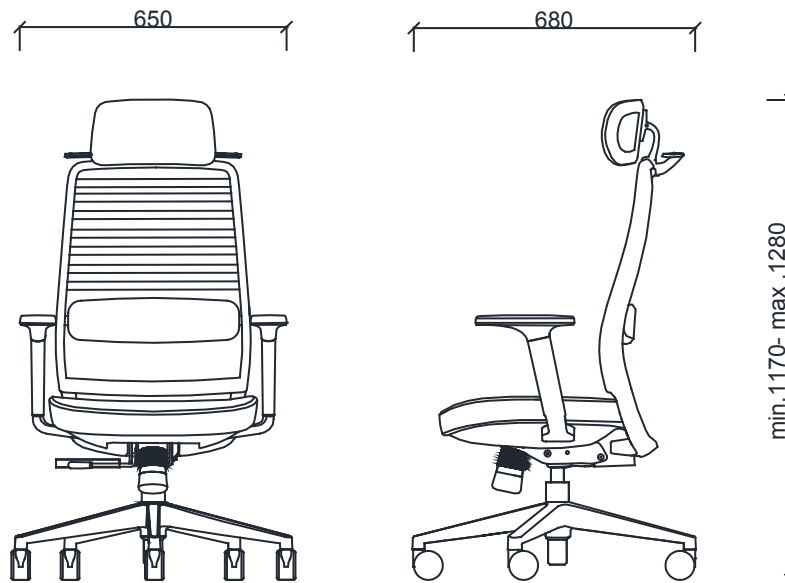
Material Catalog





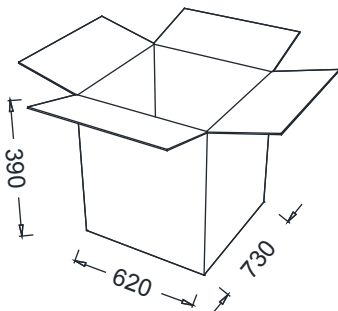
## LUNA EXECUTIVE CHAIR

### DIMENSIONS



BRK54010 - LUNA EXECUTIVE CHAIR

### Box Dimensions



Unit of measurement is millimeters.