

# LITO COAT RACK

Technical Data Sheet





## LITO COAT RACK

Designer: Burak Koçak

Lito provides both functionality and aesthetics, combining a colorful design with solid wood, addressing the needs of modern offices while adding a visual appeal.

### EXPLANATIONS

---

#### STRUCTURE

The body is made from Q28 mm diameter metal tubes.  
The base uses a 390 mm diameter, 8 mm thick steel sheet.  
All metal parts are coated with 90-micron thick textured electrostatic powder paint.

#### WOOD

All wooden components are made from solid ash wood.

#### ACCESSORIES

Feet: On the part of the steel base that makes contact with the floor, Q12 M8 bingo feet made from hard polypropylene plastic are used.

#### USAGE AREA

The Lito Coat Rack is designed for executive rooms, meeting rooms, workspaces, and common areas.

#### DESIGNER / COLLECTION

The Lito Coat Rack was designed by Burak Koçak for the 2021/2022 collection.

#### MATERIAL LIBRARY

Zivella; you can access the wood, metal, fabric, and faux leather library using the QR code below.

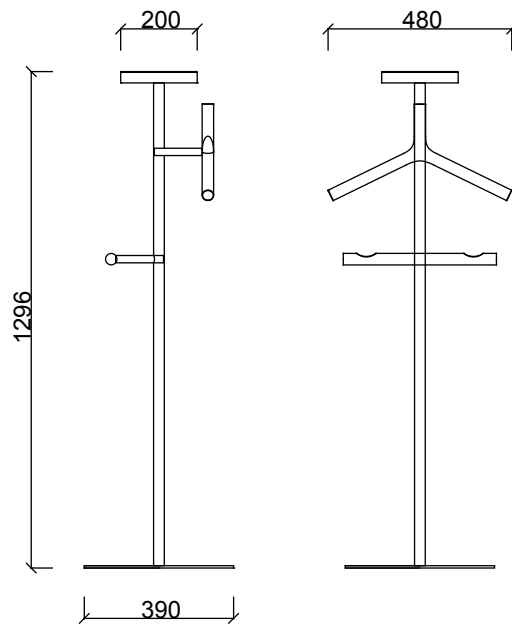


*Material Catalog*



**DIMENSIONS**

**LITO COAT RACK**



DU101 - LITO COAT RACK

Measurements are in millimeters.