

LIA-P

Technical Data Sheet





LIA-P

Designer: Z Design Team

Lia-P family, which can offer suitable and aesthetic solutions for different places such as offices, waiting areas, cafes and restaurants with wooden and metal leg alternatives, draws attention with its colorful design as much as its comfort.

DESCRIPTIONS

LEG

5 star office stand is made of chrome-plated aluminum material that is resistant to impacts and scratches or coated electrostatic oven-dried coating.

FRAME

The seat is made of 3 cm-thick 35DNS HR Sponge and 2 cm-thick down sponge of 25 DNS on 8 mm nontreated MDF. It is artificial leather or fabric upholstered.

The backrest is made of polyurethane bulk sponge of 55-60 kg/m³ on a metal frame formed by Q12mm transmission and a metal sheet bar of 20x5 mm and 40 x 5 mm. It is padded with 10 mm lamination on polyurethane. Outer part of backrest is coated with 3 mm lamination.

ACCESSORY

Tekerlek: 11mm segmanlı her yöne dönebilen sert plastik malzemeden imal edilmiş, 60mm çapında tekerleklerdir.

AREA OF USE

Lia-P Office Chairs are designed for interiors such as office rooms, meeting rooms.

DESIGNER / COLLECTION

Lia -P Product Group was designed by Z Design Team. It was designed for 2022/2023 collection.

MATERIAL LIBRARY

You can access Zivella's library of wood, metal, fabric and artificial leather with the QR code below.

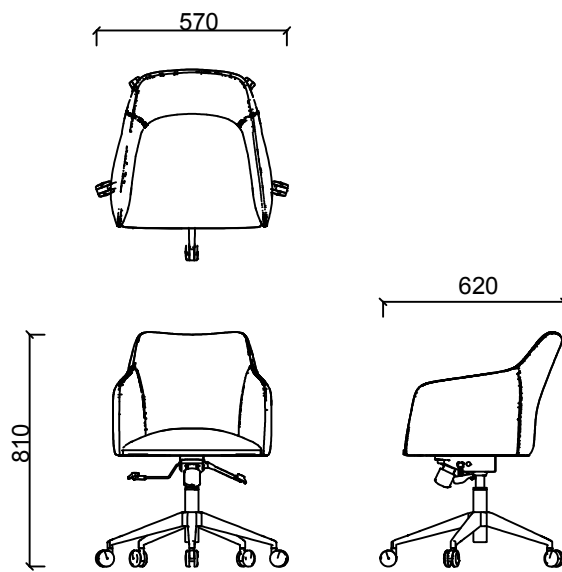


Material Library



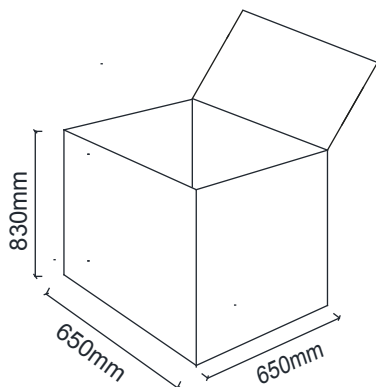
LIA-P

MEASUREMENTS



BRK2391 - LIA - P PLASTIC LEG
BRK2392 - LIA - P METAL LEG

Parcel Measurements



Unit of measurement is millimeters.