

BARI BENCH

Technical Data Sheet





BARI BENCH

Designer: Alp Nuhođlu

Colorful, dynamic and joyful...

With its new generation modular design, Bari Bench brings movement and energy to the space it is in. Bari Bench has been designed in every detail to meet all the needs of the communication age.

A tiny charging unit that fits perfectly with the design of the sofa makes life much easier.

AÇIKLAMALAR

WOODEN STRUCTURE

2nd class dry beech timber is used in the inner frame of the sitting, and 18mm CNC cut chipboard is used on the 3mm duralite side surfaces.

UPHOLSTERY

5 cm thick polyurethane cast sponge with 50kg/m³ density is used in the upper part of the session.

The skeleton is wrapped with a 1cm gray sponge with a density of 28kg/m³ on the outside.

10mm Bondex sponge is used to create the curved image and sharp line.

METAL STRUCTURE

Back part is manufactured by CNC bending of 22x1.5mm pipe. 16x1.5 pipe and 25x5mm flat bar are used in internal rods. It is wrapped with 1cm gray sponge with 28kg/m³ density outside the structure. 28kg/m³ 2cm gray sponge is used for internal feeding. Part of the back is covered with fabric or artificial leather.

ACCESSORIES

A height-adjustable bingo shoe made of hard plastic material is used where the product contacts the ground.

With-brake and non-brake wheels made of plastic material that can rotate in all directions are used.

On the product; 1 x 2USB charging port, USB charging apparatus is used. It is embedded in the product floor.

On the surface of the product in contact with the ground, height-adjustable shoes with a diameter of Q50 mm and a height of 5 cm made of plastic are used.

AREA OF USE

Bari Product Group is designed for lobbies, office rooms and home-type interior spaces.

DESIGNER / COLLECTION

Bari Product Group is designed by Alp Nuhođlu. It was designed for 2020/2021 collection.

MATERIAL LIBRARY

Scan the QR code below to access Zivella's wood, metal, fabric and faux leather library.



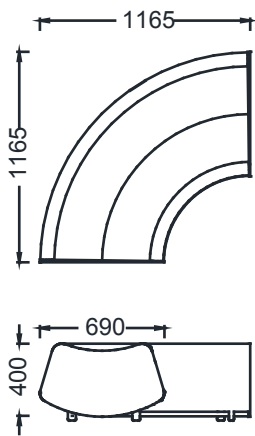
Material Library



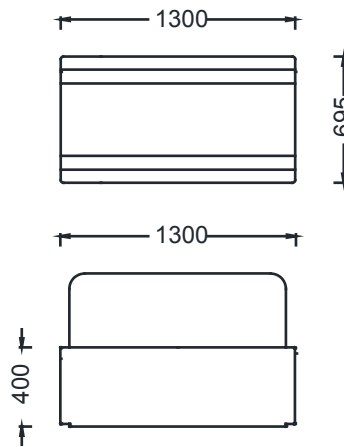


MEASUREMENTS

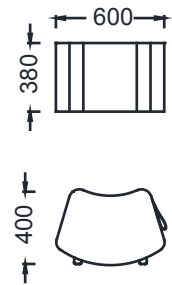
BARI BENCH



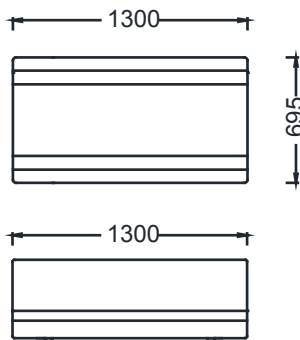
BRK1404 - BARI CURVED BENCH



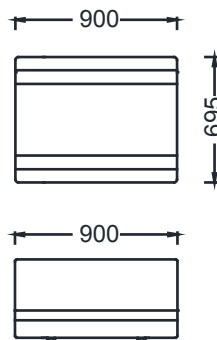
BRK1405S - BARI BENCH WITH BACK 130cm
BRK1402S - BARI BENCH WITH BACK 130cm
W/USB



BRK1400 - BARI POUF



BRK1402 - BARI BENCH 130cm



BRK1403 - BARI BENCH 90cm

Unit of measurement is millimeters.