

HOLE

Technical Data Sheet





HOLE

Designer: Selami Gündüzeri

Hole product group was designed to attract users in lounge areas, and it was inspired by the gravitational pull of black holes. The middle space formed when different modules are combined can be used as an area for plants or a room divider. Hole can be configured in many forms thanks to its modular system.

DESCRIPTIONS

FRAME

Hole is composed of modules, and each module is manufactured from polyurethane molded foam with a density of 55 kg/m³ shaped in special molds.

Metal tubes and propeller shafts and CNC machine-cut wooden melamine parts are used in its polyurethane inner frame.

COFFEE TABLE

It comes with a 30 mm thick melamine, lacquered or coated coffee table top on the polyurethane molded foam frame shaped in special molds.

ACCESSORY

Adjustable leveling glides made of plastic material are located under the bottom of the product that is in contact with the ground.

MODULS

Hole Lounge Group offers the opportunity to create dozens of combinations and products with 7 different product modules.

It consists of Flat Lounge Module, Lounge Module with Backrest, Corner Lounge Module, Coffee Table and poufs in 3 different dimensions.

When assembled together as a single unit, the space formed in the middle is designed to offer functionality. An area has been designed for landscape, separation or storage elements.

Hole Lounge Group modules can be combined with each other in great harmony. All modules are designed for modular use.

AREA OF USE

Hole Lounge Group can be used in hotels, shopping malls, hospitals, and office lounge areas.

It can be customized according to the desired area, dimensions and function in interior projects. While it can be grouped into lounge areas as clusters, it can be used in circular, linear or geometric forms.

DESIGNER / COLLECTION

Hole Product Group was designed by Selami Gündüzeri for 2022/2023 collection.

MATERIAL LIBRARY

Scan the QR code below to access Zivella's wood, metal, fabric and faux leather library.



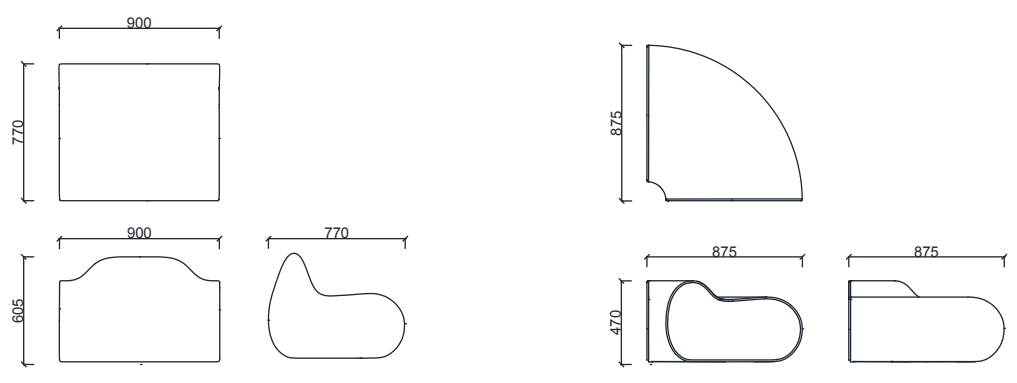
Material Catalog





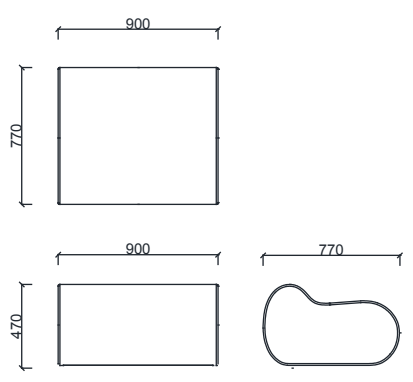
HOLE

MEASUREMENTS



BRK1031 - HOLE WITH BACK

BRK1032 - HOLE CORNER



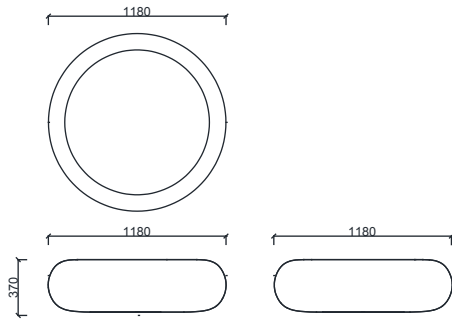
BRK1030 - HOLE MID

Unit of measurement is millimeters.

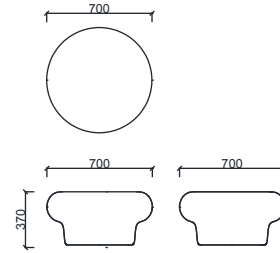


HOLE

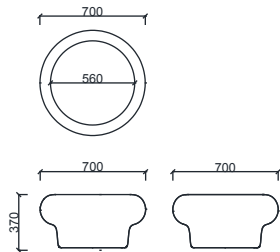
MEASUREMENTS



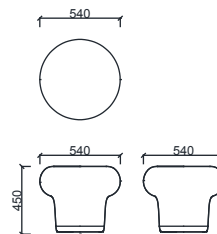
BRK1033 - HOLE POUF Q:120



BRK1034 - HOLE POUF Q:70



BRK1036 - HOLE COFFEE TABLE Q:70 Wood Veneer
BRK1037 - HOLE COFFEE TABLE Q:70 Melamine



BRK1035 - HOLE POUF Q:55

Unit of measurement is millimeters.