

FLAT BAR

Technical Data Sheet





FLAT BAR

Designer: Z Design Team

With its minimal lines and integrated back and armrest design, Flat Bar adds a dynamic spirit to spaces.

DESCRIPTIONS

METAL LEG

Metal Base: The base is made from DKP pipes with a diameter of 17mm and a wall thickness of 2mm. The footrest is made from 12mm transmission and 20x5mm metal bars. The legs are painted with electrostatic powder coating, while the products with codes BRK49420S and BRK49420B undergo a chrome plating process.

SEAT / BACKREST

The seat and backrest are manufactured as a single piece using plastic injection molding in special molds. The seat and backrest plastic is available in white or black color options.

FRAME

The seat plastic, produced by plastic injection molding in special molds, is upholstered with 5cm thick 35 HR foam. The seat is covered with fabrics from the Zivella catalog.

ACCESSORY

Glides: Plastic glides are used for the Q17 pipes to prevent contact between the metal legs and the floor.

AREA OF USE

Flat Bar Chairs are designed for work environments such as executive offices and offices.

COLLECTION

Flat Bar Chairs were designed for the 2022/2023 collection.

MATERIAL LIBRARY

Access the Zivella material library of wood, metal, fabric, and synthetic leather using the QR code below.

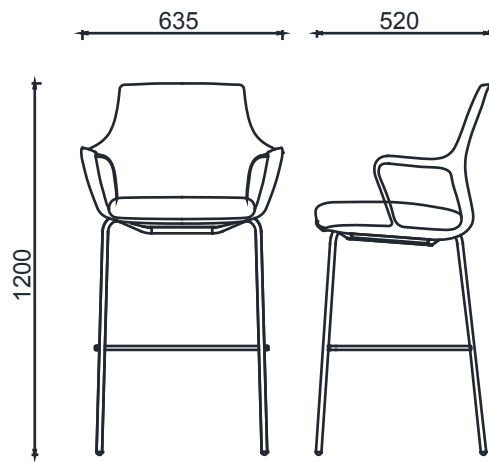


Material Library



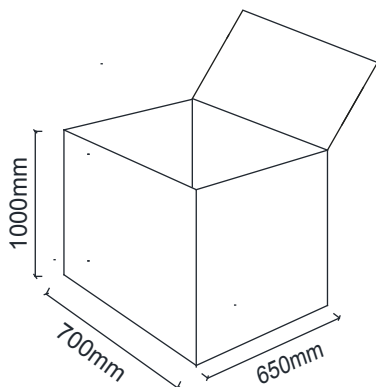
FLAT BAR

MEASUREMENTS



BRK49410S - FLAT BAR BLACK (Static)
BRK49410B - FLAT BAR WHITE (Static)
BRK49420S - FLAT BAR BLACK (Chrome)
BRK49420B - FLAT BAR WHITE (Chrome)

Parcel Measurements



Unit of measurement is millimeters.