

EVA OFFICE CHAIR

Technical Data Sheet





EVA OFFICE CHAIR

Designer: Z Design Team

Eva adds elegance to offices with its simple, slim and flexible design, while providing a comfortable and healthy posture with its ergonomically designed mesh backrest and curved seat.

DESCRIPTIONS

STAR LEG

Star leg; It is a 5' star leg made of impact and scratch resistant hard plastic material or chrome plated aluminium injection. Plastic feet are available in white or black colour alternatives.

MECHANISM

Double arm synchronous mechanism that can be locked at 4 different lying points, height adjustable and movement stiffness adjustable, 3 single lever tilt mechanism alternatives, which can be locked at different reclining points, height adjustable and movement stiffness adjustable.

Gas Lift: It is an imported gas, class4 shock absorber with conical fitting system to the leg and mechanism, which can be fixed at the desired seating height.

SEAT - BACKREST

The seat is upholstered with 5cm thick 35 HR sponge and 1cm thick grey sponge with 28 DNS density on the plastic cover under the seat, which is manufactured by plastic injection method in special moulds. The backrest is upholstered with mesh fabric on the back plastic frame manufactured by plastic injection method in special moulds. In order to provide an ergonomic seat, there is a lumbar support made of polyurethane pad material with up-and-down mobility. The seat and back plastic are available in white or black colour alternatives.

ARMREST

The armrest can be height adjusted by means of a push-button, can move forwards-backwards and right-left; the armrest area is made of hard polypropylene plastic material with polyurethane pad, resistant to impacts and scratches.

ACCESSORIES

Castor Wheels: They are 50mm diameter castors made of hard plastic material that can rotate in all directions with 11mm circlip.

AREA OF USE

Eva Working is designed for working areas such as executive rooms and offices.

COLLECTION

Eva Working is designed for 2022/2023 collection.

MATERIAL LIBRARY

You can access Zivella's wood, metal, fabric and artificial leather materials with the following QR code.



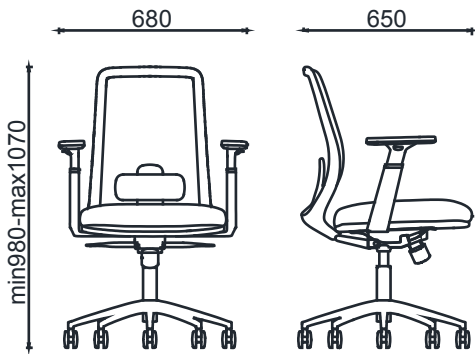
Material Library



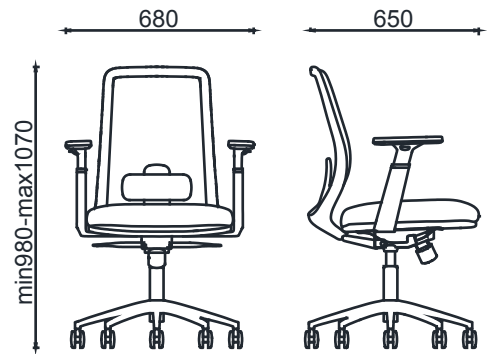


EVA OFFICE CHAIR

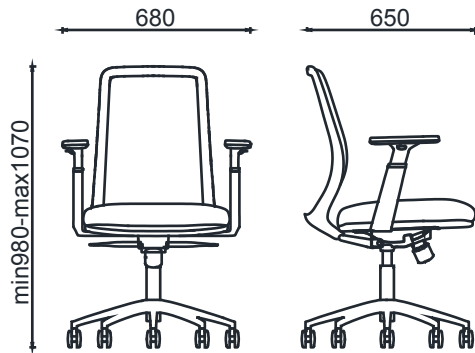
MEASUREMENTS



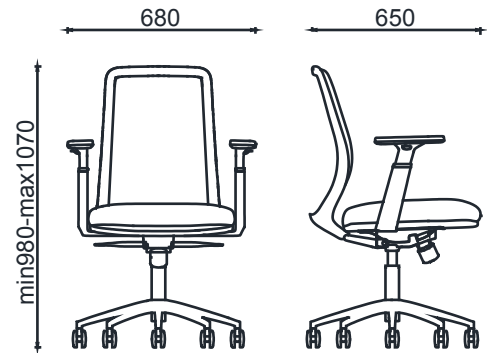
BRK48110S - EVA OFFICE CHAIR BLACK(Plastic Leg-Synchronous Mechanism)
BRK48120S - EVA OFFICE CHAIR BLACK(Alm. Leg-Synchronous Mechanism)



BRK48110B - EVA OFFICE CHAIR WHITE(Plastic Leg-Synchronous Mechanism)
BRK48120B - EVA OFFICE CHAIR WHITE(Alm. Leg-Synchronous Mechanism)

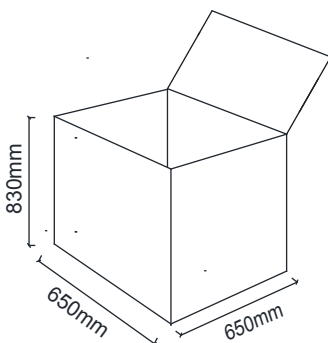


BRK48211S - EVA-S OFFICE CHAIR BLACK
(Plastic Leg-Tilt Mechanism-w/o Lumbar Support)
BRK48221S - EVA-S OFFICE CHAIR BLACK
(Alm. Leg-Tilt Mechanism-w/o Lumbar Support)



BRK48211B - EVA-S OFFICE CHAIR WHITE
(Plastic Leg-Tilt Mechanism-w/o Lumbar Support)
BRK48221B - EVA-S OFFICE CHAIR WHITE
(Alm. Leg-Tilt Mechanism-w/o Lumbar Support)

Parcel Measurements



Unit of measurement is millimeters.