

CIGAR

Technical Data Sheet





CIGAR

Designer: Setsu & Shinobu Ito

Designed for the need for sofas that can be used in large and small spaces. It stands out with its minimal dimensions, rounded lines, aesthetic appearance and comfort. Cigar has a very light and modern appearance with its rounded lines and curvilinear structure on the front.

DESCRIPTIONS

METAL STRUCTURE

The metal base is manufactured from 10 mm thick CNC machine-cut DKP sheet metal and 10 mm thick metal laminate material. The part in contact with the frame is made of a curvilinear metal sheet material produced by bending with special molds.

WOODEN STRUCTURE / ARMREST

2nd class kiln-dried beech solid wood is used on the seat and back frame. CNC machine-cut melamine parts are used to create the curvilinear form. The armrests are manufactured from polyurethane molded foam with a density of 55 kg/m³ shaped in special molds. There is a CNC machine-cut plywood panel in the polyurethane inner frame.

UPHOLSTERY

2 cm thick memory foam is used on 8 cm thick 35HR foam on the seat and 2 cm thick memory foam is used on 5 cm thick 35HR foam on the backrest.

AREA OF USE

Cigar Sofa Group can be used in indoor office lobby areas, executive rooms and, if desired, at homes.

DESIGNER / COLLECTION

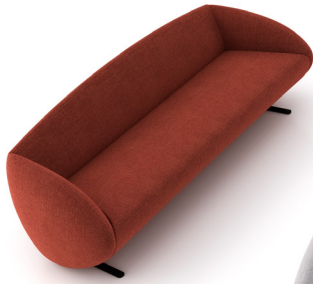
Cigar Product Group is designed by Setsu & Shinobu Ito. It was designed for 2022/2023 collection.

MATERIAL LIBRARY

You can access Zivella's library of wood, metal, fabric and artificial leather with the QR code below.

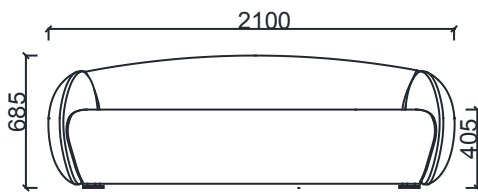


Material Library

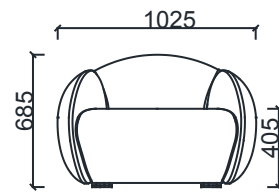


CIGAR

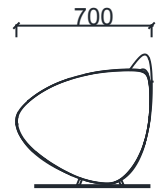
MEASUREMENTS



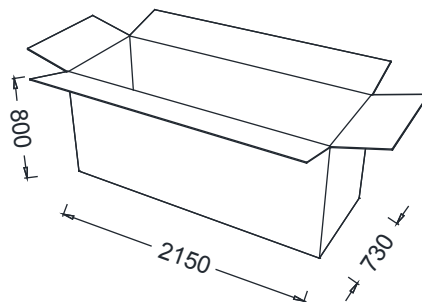
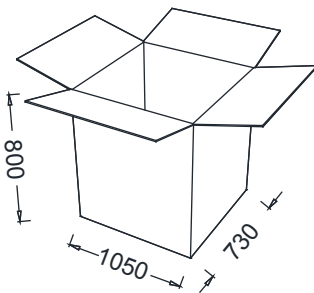
BRK1073 - CIGAR TRIPLE



BRK1071 - CIGAR SINGLE



Parcel Measurements



Unit of measurement is millimeters.