

CHOCOLATE

Technical Data Sheet





CHOCOLATE

Designer: Selami Gündüzeri

As the name suggests, Chocolate's design set off from the idea of chocolate. The form structure of chocolate, its fragmented shape within a whole and the wellbeing it sparks in people inspired us. Fitting confined spaces with its minimal structure and ergonomic lumbar support offers benefits for users.

DESCRIPTIONS

METAL STRUCTURE

Back and base frame are made of DKP metal profile with a Q25 and Q22 mm diameter and a 1.5 mm thickness. Metal tube bars with 50x20 mm and 50x25 mm dimensions were used for construction resistance. Seat and base frames are manufactured and assembled separately.

WOODEN STRUCTURE

Seat frame is made of 2nd grade oven-dried beech.

UPHOLSTERY

Formed 10 cm thick 35HR foam is used in the upper part of the seat. 35HR CNC machine - cut foam is used to shape the armrest and back upholstery.

ACCESSORY

Adjustable leveling glides made of rigid plastic material are located under the bottom of the product that is in contact with the ground.

AREA OF USE

The Chocolate Sofa/Armchair is designed for interior spaces such as executive rooms and waiting areas.

DESIGNER / COLLECTION

Chocolate Product Group is designed by Selami Gündüzeri. It was designed for 2022/2023 collection.

MATERIAL LIBRARY

You can access Zivella's library of wood, metal, fabric and artificial leather with the QR code below.

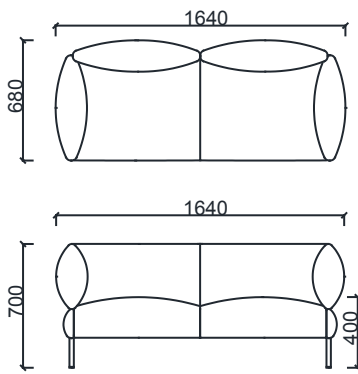


Material Library

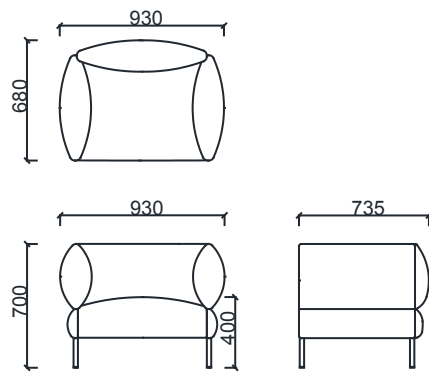


CHOCOLATE

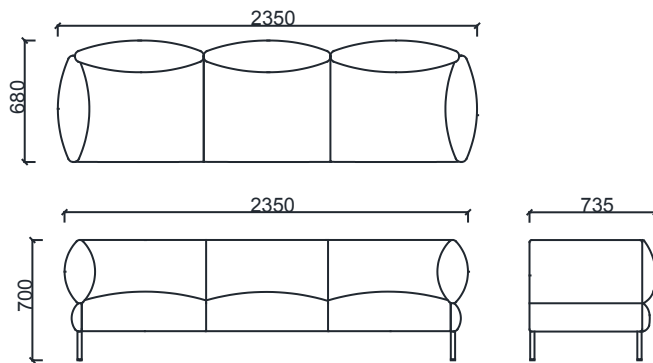
MEASUREMENTS



BRK1062 - CHOCOLATE DOUBLE

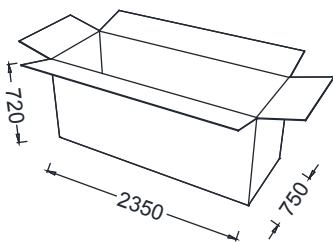


BRK1061 - CHOCOLATE SINGLE

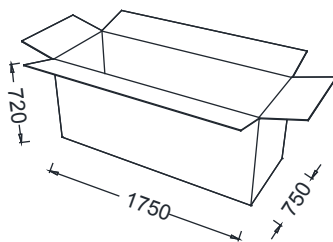


BRK1063 - CHOCOLATE TRIPLE

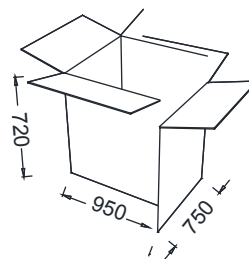
Parcel Measurements



BRK1063 - CHOCOLATE TRIPLE



BRK1062 - CHOCOLATE DOUBLE



BRK1061 - CHOCOLATE SINGLE

Unit of measurement is millimeters.