

CAROT EXECUTIVE

Technical Data Sheet





CAROT EXECUTIVE

Designer: Z Design Team

It is designed to offer comfort against the stress and fatigue of daily life. Being robust and high quality, it is always with you in your busy hours of works.

DESCRIPTIONS

METAL STRUCTURE

Star Base with 5 Legs is made of impact and scratch resistant hard plastic material or chrome surface coated aluminium injection. On the metal leg surface; 90 micron thick textured electrostatic powder oven paint is used.

MECHANISM

Height-adjustable, movement rigidity adjustable, single lever tilt mechanism, lockable at 3 different tilting points. Black import gas strut of class 4 tapered to base and mechanism, lockable at the desired sitting height.

UPHOLSTERY

Seat: It is upholstered with 5cm-thick HR sponge of 35 DNS and 1cm-thick grey sponge of 28 DNS in underseat plastic cover made in special forms by plastic injection method.

Backrest: It is upholstered with mesh fabric on the backrest plastic frame made in special forms by plastic injection method.

Headrest: The headrest made in special forms by plastic injection method is assembled to the backrest through fittings in a demountable way. The head resting area can be adjusted to the desired angle for an ergonomic use.

It is upholstered with 3cm-thick grey sponge and fabric on plastic headrest.

ARMREST

Moving arm made of impact and scratch resistant hard polypropylene plastic, height-adjustable by button, capable of moving back and forth, polyurethane padded in arm resting area (BRK29110 - BRK29120) (with BIFMA Certification)

ACCESSORY

Wheels are caster wheels with a diameter of 50mm and made of hard plastic with 11 mm grip ring. (with BIFMA Certification)

AREA OF USE

Carot Executive designed for workspaces such as executive rooms, offices.

DESIGNER / COLLECTION

Carot Executive was designed by Z Design Team. It was designed for 2022/2023 collection.

MATERIAL LIBRARY

You can access Zivella's library of wood, metal, fabric and artificial leather with the QR code below.

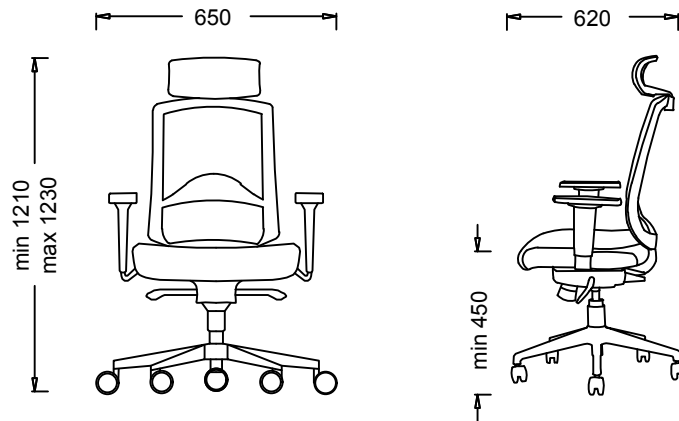


Material Library



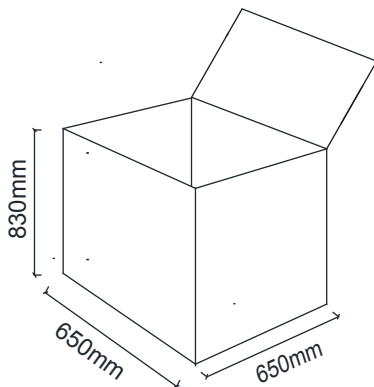
CAROT EXECUTIVE

MEASUREMENTS



BRK29010 - CAROT EXECUTIVE PLASTIC LEG
BRK29020 - CAROT EXECUTIVE METAL LEG

Parcel Measurements



Unit of measurement is millimeters.