

# BEST-K / BEST-A GUEST

Technical Data Sheet





## BEST-K / BEST-A GUEST

Designer: Z Design Team

Best is the combination of all best features that an office chair must have. This office chair that can be made with mobile or fixed leg for different purposes can optionally be equipped with an armrest. Being the modern and coherent picture with wooden legs and fabric upholstery, Best falls with any space thanks to its ideal dimensions.

### DESCRIPTION

---

#### WOODEN STRUCTURE

Best A Guest: Legs are made of 1st grade oven-dried massive ash tree and lathed to give an oval form to them.

Best K Guest: Legs are made of 2nd grade oven-dried massive beech timber and lathed to give an oval form to them.

The wooden surface is applied with 2 coats of polyurethane flat varnish finish on 3 coats of polyurethane wood filler to protect it to external factors and guarantee a long useful life.

#### ARMREST

Best A Guest: Arm resting part is manufactured from 1st Grade oven-dried solid ash wood.

Best K Guest: Arm resting part is manufactured from 2nd Grade oven-dried solid ash wood.

#### SEAT-UPHOLSTERY

It is made of a monoblock body with fabric or artificial leather upholstery on polyurethane bulk sponge of 55-60 kg/m<sup>3</sup> formed in special moulds. 5 mm and 10 mm transmission rod and metal sheet bars of 20x5mm and 20x3 mm are used in polyurethane inner metal frame.

#### ACCESSORY

Nail chair feet made of hard polypropylene plastic are used in the floor contacting parts of the legs.

#### AREA OF USE

Best-K / Best-A is designed for offices, hospitals, schools, terminals and new workspaces.

#### DESIGNER / COLLECTION

Best-K / Best-A is designed by Z Design Team. Designed for 2022/2023 collection.

#### MATERIALS LIBRARY

You can access Zivella's library of wood, metal, fabric and artificial leather with the QR code below.



Material Library

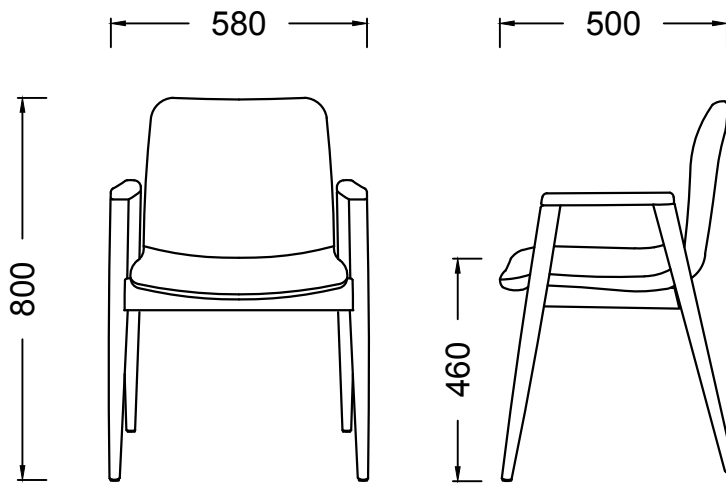




## BEST-K / BEST-A GUEST

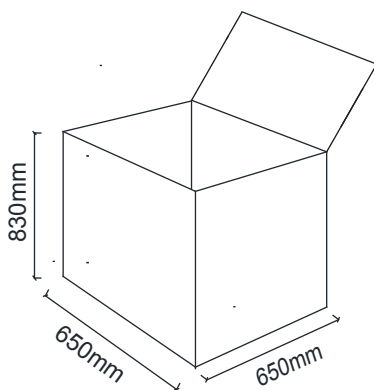
### MEASUREMENTS

---



BRK226 - BEST K GUEST  
BRK227 - BEST A GUEST

### Parcel Measurements



Unit of measurement is millimeters.