

# FLAT OFFICE CHAIR

Technical Data Sheet





## FLAT OFFICE CHAIR FLAT HIGH OFFICE CHAIR

Designer: Z Design Team

With its minimal line and holistically designed back and arm structure, Flat adds a dynamic spirit to spaces.

### DESCRIPTIONS

#### LEG

Star leg; It is a 5 star leg made of impact and scratch resistant hard plastic material or chrome plated aluminium injection. Plastic feet are available in white or black colour alternatives.

#### MECHANISM

Flat Working Chair; has a single lever mechanism that can be adjusted in height in the session bottom cover made of plastic material. Gas Lift: It is an imported, class4 shock absorber with conical fitting system to the leg and mechanism, which can be fixed at the desired seating height.

#### HIGH OFFICE CHAIR

Flat high office chair shock absorber is a special class 4 bar shock absorber in bar chair size. In the High Working Chair, the footrest is made of CNC bending pipe profile material with a diameter of Q19mm and a wall thickness of 1.5mm. Height can be adjusted.

#### FRAME

The seat/back is manufactured in a single piece by plastic injection method in special moulds. The seat/back plastic is available in white or black.

#### UPHOLSTERY

The seat is upholstered with 5cm thick 35 HR sponge on the seat plastic manufactured by plastic injection method in special moulds. The seat is covered with fabrics from Zivella colour chart.

#### ACCESSORIES

Castor Wheels: They are 50mm diameter castors made of hard plastic material that can rotate in all directions with 11mm circlip.

#### AREA OF USE

Flat Office Chair/High Office Chair is designed for workspaces such as executive rooms, offices.

#### COLLECTION

Flat Office is designed for the 2022/2023 collection.

#### MATERIAL LIBRARY

You can access Zivella's library of wood, metal, fabric and artificial leather with the QR code below.



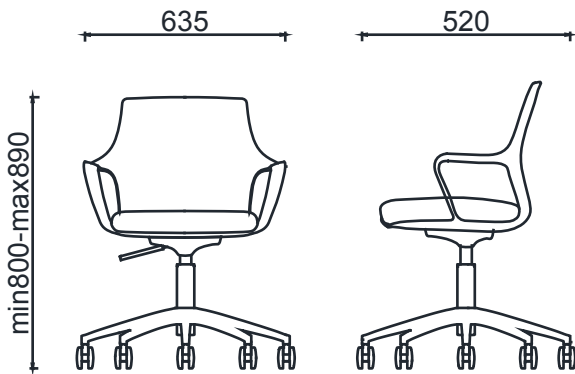
Material Library



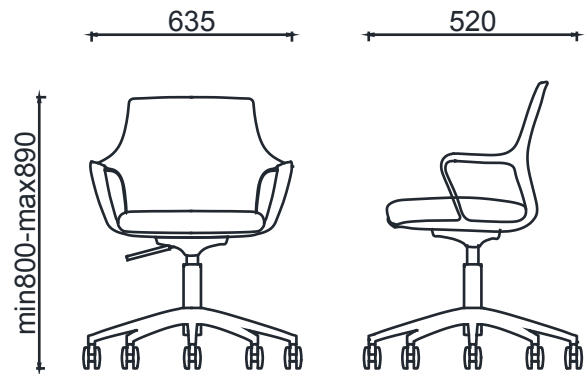


## FLAT OFFICE CHAIR FLAT HIGH OFFICE CHAIR

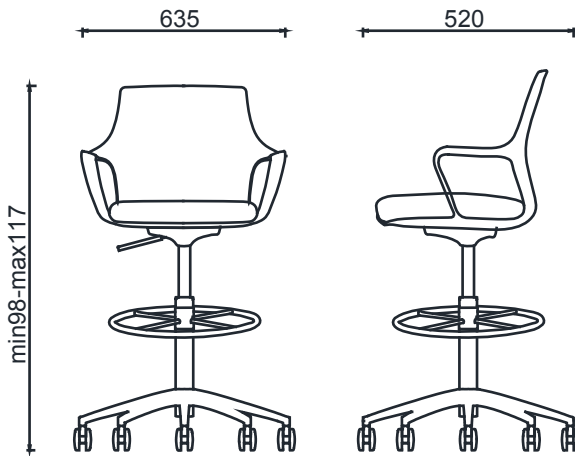
### MEASUREMENTS



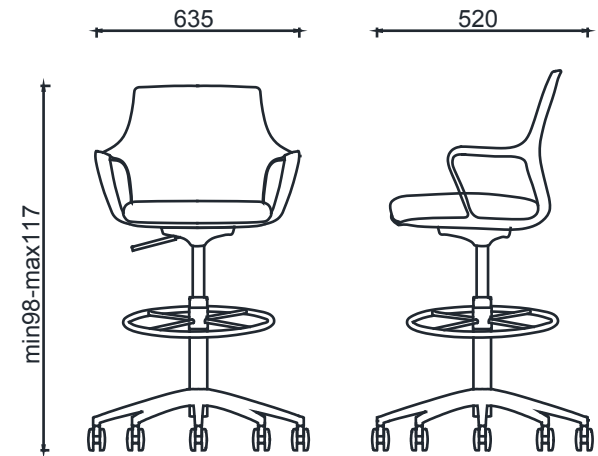
BRK49110S - FLAT OFFICE BLACK(Plastic Leg)  
BRK49120S - FLAT OFFICE BLACK(Metal Leg)



BRK49110B - FLAT OFFICE WHITE(Plastic Leg)  
BRK49120B - FLAT OFFICE WHITE(Metal Leg)

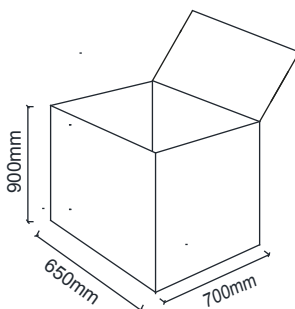


BRK49310S - FLAT HIGH OFFICE BLACK(Plastic Star Leg)  
BRK49320S - FLAT HIGH OFFICE BLACK(Metal Star Leg)



BRK49310B - FLAT HIGH OFFICE WHITE(Plastic Star Leg)  
BRK49320B - FLAT HIGH OFFICE WHITE(Metal Star Leg)

### Parcel Measurements



Unit of measurement is millimeters.