

MAY GUEST U LEG

Technical Data Sheet





MAY GUEST U LEG

Designer: Z Design Team

With its vibrant and dynamic form, May is designed in line with the characteristics of today's new generation workspaces and other spaces. Its body providing a comfortable sitting experience, moving metal legs and convenient arm rests make it an ideal chair for long-term use. Furthermore, May stands out in an otherwise ordinary office environment especially with its lively fabric colors.

DESCRIPTIONS

LEG

The metal base has electrostatic powder coating (oven-dying) or is chrome plated with CNC bending in special molds with a diameter of Q12mm and wall thickness of 1.5mm.

UPHOLSTERY

Base frame is made of flexible polyurethane foam with a density of 55kg/m³ shaped in special molds.
Head piece is made of polyurethane foam sponge with a density of 55kg/m³ shaped in special molds.

ACCESSORY

Fixed sliding pads made of rigid plastics are available- under the metal base contacting the ground.

AREA OF USE

May Guest U Leg is designed for interiors such as office rooms, meeting rooms.

DESIGNER / COLLECTION

May Product Group was designed by Z Design Team.
It was designed for 2022/2023 collection.

MATERIAL LIBRARY

You can access Zivella's library of wood, metal, fabric and artificial leather with the QR code below

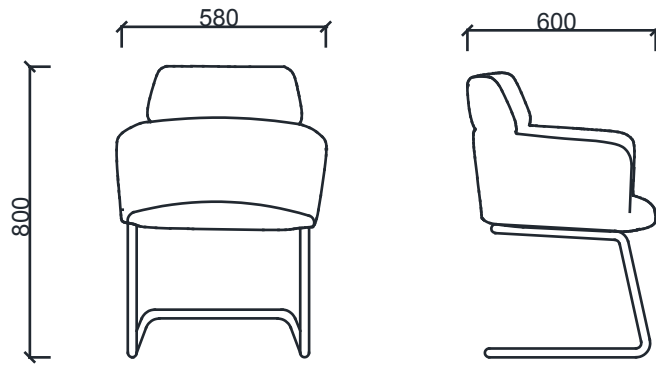


Material Library



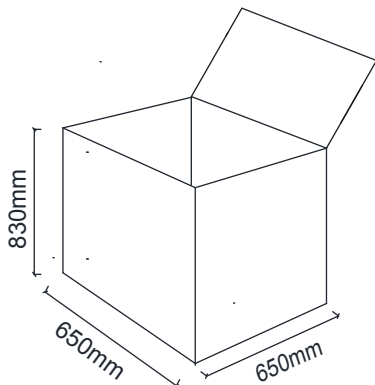
MAY GUEST U LEG

MEASUREMENTS



BRK432 - MAY GUEST (U Leg) Static
BRK432K - MAY GUEST (U Leg) Chrome

Parcel Measurements



Unit of measurement is millimeters.