

# BEST CHAIR

Technical Data Sheet





## BEST CHAIR

Designer: Z Design Team

Best is the combination of all best features that an office chair must have. This office chair that can be made with mobile or fixed leg for different purposes can optionally be equipped with an armrest. Being the modern and coherent picture with metal legs and fabric upholstery, Best falls with any space thanks to its ideal dimensions.

### DESCRIPTIONS

---

#### METAL STRUCTURE

Metal legs are made of 12 mm transmission, formed by bending in CNC moulds.

On the surface of metal base, electrostatic oven coating or heat-treated chrome plating is used to give resistance to oxidizing and corrosion.

Under the legs, there are moving foot pads made of hard plastic.

#### UPHOLSTERY

It is made of a monoblock body with fabric or artificial leather upholstery on polyurethane bulk sponge of 55-60 kg/m<sup>3</sup> formed in special moulds.

5 mm and 10 mm transmission rod and metal sheet bars of 20x5mm and 20x3 mm are used in polyurethane inner metal frame.

#### ACCESSORY

Under the metal feet, there are movable foot glides made of hard plastic material.

#### AREA OF USE

Best Chair is designed for offices, hospitals, schools and new workspaces.

#### DESIGNER / COLLECTION

Best Chair was designed by Z Design Team.

It was designed for 2022/2023 collection.

#### MATERIAL LIBRARY

You can access Zivella's library of wood, metal, fabric and artificial leather with the QR code below.



*Material Library*

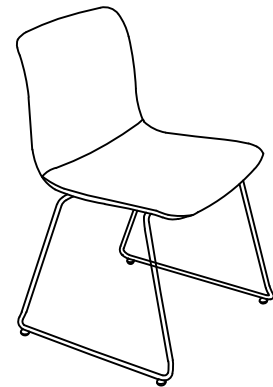
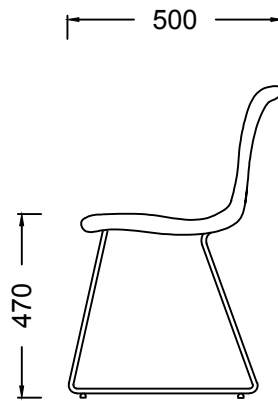
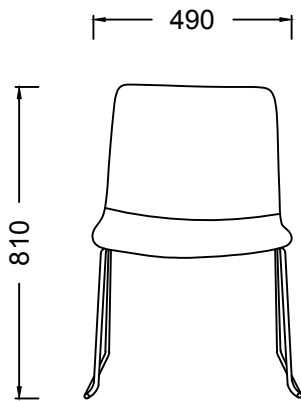




## BEST CHAIR

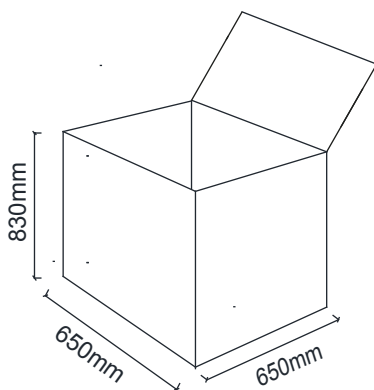
### MEASUREMENTS

---



BRK221 - BEST CHAIR STATIC  
BRK221K - BEST CHAIR CHROME

### Parcel Measurements



Unit of measurement is millimeters.