

LIA-P (Wooden Leg)

Technical Data Sheet





LIA-P (Wooden Leg)

Designer: Z Design Team

The Lia-P family, which can offer suitable and aesthetic solutions for all different spaces such as offices, waiting areas, cafes and restaurants with different wood and metal leg alternatives, attracts attention with its comfort as well as its colorful design.

DESCRIPTIONS

FRAME

Polyurethane body is made of 55kg/m³ density cast foam in special molds. Polyurethane inner frame is made of Q12mm diameter transmission and 20x5mm sized metal lama materials.

SEAT

The session is manufactured with 55 kg/m³ density polyurethane cast foam in special molds.

WOODEN LEG

Wooden legs are made of 2nd class kiln dried beech timber material.

On the wood surface; in order to protect against external factors and to ensure long-lasting use; 3 coats of polyurethane filler varnish over 2 coats of polyurethane top coat matt varnish or lacquer paint is applied.

Lacquer paint can be applied to wooden legs in the colors in the Zivella Chart.

ACCESSORY

Fixed nail glide made of plastic material is used where the product comes into contact with the ground.

AREA OF USE

Lia-P Armchair is designed for interior spaces such as executive rooms, offices, waiting areas, cafes/restaurants.

DESIGNER / COLLECTION

Lia-P Product Group was designed by Z Design Team. It was designed for 2019/2020 collection. Lia-P was redesigned for 2023/2024 collection.

MATERIAL LIBRARY

You can access Zivella's library of wood, metal, fabric and artificial leather with the QR code below.

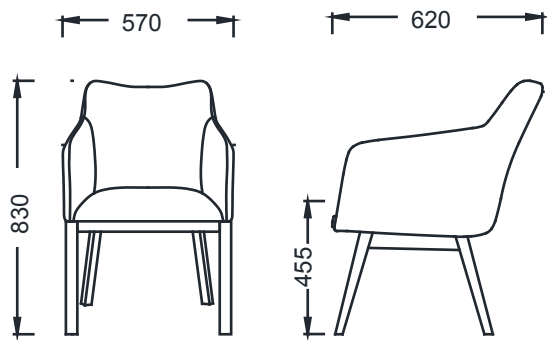


Material Library

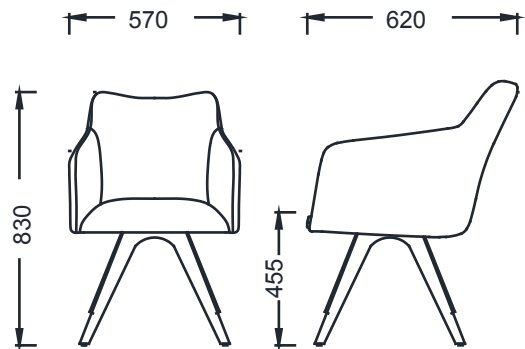


LIA-P (Wooden Leg)

MEASUREMENTS

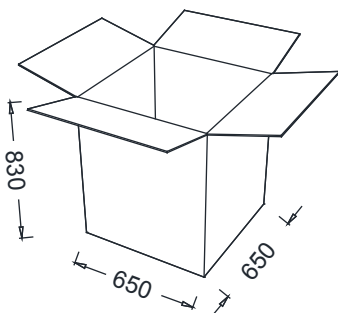


BRK2382 - LIA-P (Wooden Frame Leg)



BRK2372 - LIA-P (Wooden Pyramite Leg)

Parcel Measurements



Unit of measurement is millimeters.