

NEO

Technical Data Sheet





NEO

Designer: Alp Nuhođlu

Neo fits easily into modern executive rooms and waiting areas with its minimal geometric structure and strong design.

DESCRIPTIONS

METAL STRUCTURE

The metal inner frame is made of box profiles with dimensions of 30x30x1.5 mm and 50x5 mm thick metal material. Metal leg is manufactured from laser cut sheet material. The part that provides connection with the skeleton is a curvilinear metal lama material manufactured by bending in special moulds.

WOOD STRUCTURE

2nd class oven dried beech solid material is used for the seat and back frame. 8mm wood panel is used on the arms.

UPHOLSTERY

10cm thick 35HR foam is used in the session and 5cm thick 35HR foam is used on the back reclining surface.

AREA OF USE

Neo; It can be used in indoor office waiting areas, executive rooms and home environment if desired.

DESIGNER / COLLECTION

Neo was designed by Alp Nuhođlu for the 2021/2022 collection.

MATERIAL LIBRARY

You can access the wood, metal, fabric and artificial leather library with the following QR code.



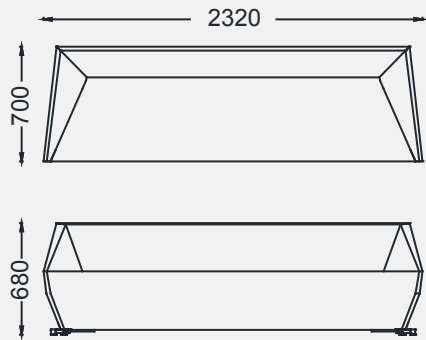
Material Library



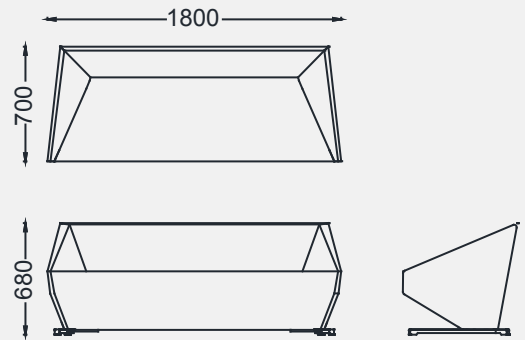


MEASUREMENTS

NEO



BRK2450 - NEO TRIPLE



BRK2451 - NEO DOUBLE

Unit of measurement is millimeters.