

MAY MEETING CHAIR

Technical Data Sheet





MAY MEETING CHAIR

Designer: Z Design Team

May has been designed in accordance with the character of today's new generation workspaces and indoors with its energetic and lively design. Its main frame offering a comfortable sitting experience, rolling metal legs and comfortable armrest make it ideal choice for long-term use. Furthermore, May is quite striking especially with its vibrant fabric colors.

DESCRIPTIONS

LEG

The metal base has electrostatic powder coating (oven-dying) with CNC bending in special molds with a diameter of Q22mm and wall thickness of 1.5mm.

UPHOLSTERY

Base frame is made of flexible polyurethane foam with a density of 55kg/m³ shaped in special molds.
Head piece is made of polyurethane foam sponge with a density of 55kg/m³ shaped in special molds.

ACCESORRY

The caster wheels are 50mm diameter wheels made of rigid plastic that can rotate in all directions with 11mm stem.

AREA OF USE

May Meeting Chair are designed for interiors such as office rooms, meeting rooms.

DESIGNER / COLLECTION

May Product Group was designed by Z Design Team.
It was designed for 2022/2023 collection.

MATERIAL LIBRARY

You can access Zivella's library of wood, metal, fabric and artificial leather with the QR code below.

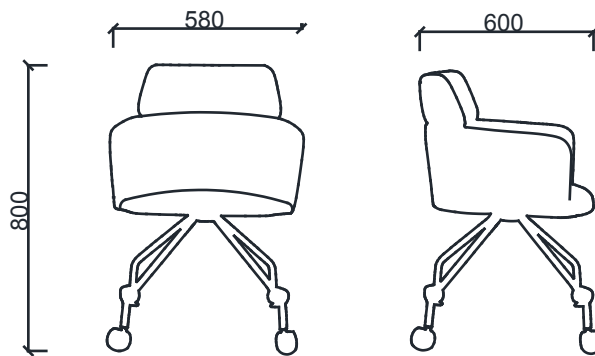


Material Library



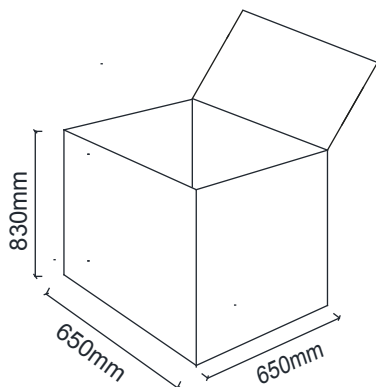
MAY MEETING CHAIR

MEASUREMENTS



BRK433 - MAY MEETING CHAIR (Static)
BRK433K - MAY MEETING CHAIR (Chrome)

Parcel Measurements



Unit of measurement is millimeters.