

VENN EXECUTIVE GROUP

Technical Data Sheet





VENN YÖNETİCİ GRUBU

Designer: Adnan Serbest

Venn combines art and craftsmanship, focusing on simplicity in design with its minimalist look and clean detailing, meeting all needs. By adding simplicity to the space, Venn conveys the feeling of colors and textures to its users. It maintains a linear approach with the same strength and harmony across the entire product group.

DESCRIPTION

METAL STRUCTURE

Frame: Metal profiles are used, which are drawn from special molds in sizes of 30x30 mm with a thickness of 1.5 mm, made from cold-rolled steel (DKP).

Metal Legs: The metal legs are produced from CNC-cut metal sheets, bent into shape in sizes of 80x10 mm.

All metal parts are coated with a 90-micron thick textured (pebbled) electrostatic powder paint.

TABLETOP

Veneer Tabletop: Venn tabletops are veneered on both sides with E1 quality 18 mm particle board, reinforced with a 50 mm deep frame made from E1 quality 30 mm MDF material. A 1 mm thick impact-resistant PVC band is used on all four edges.

Melamine Tabletop: Venn tabletops are melamine-coated on both sides with E1 quality 18 mm particle board, reinforced with a 50 mm deep frame made from E1 quality 30 mm particle board. A 2 mm thick impact-resistant PVC band is used on all four edges.

Modesty Panel: The modesty panels are made from E1 quality 18 mm particle board, melamine-coated on both sides. A 1 mm thick impact-resistant PVC edge band is used on the edges of the panel. Cables are routed through the modesty panel.

ELECTRIFICATION

For the desk's electrification solution, Hafele brand products are used, including one 220V socket, one USB-A (12V, 2.8A), and one USB-C (12V, 3A).

ACCESSORIES

Feet: The legs feature M8 diameter, 28 mm adjustable plastic bingo feet that lift the desk off the ground.

Socket Box: A power unit (2 sockets + CAT6 + CAT3) is used.

USAGE AREA

The Venn Executive Group is designed for interior spaces like work areas.

DESIGNER / COLLECTION

The Venn Executive Group was designed by Adnan Serbest for the 2022/2023 collection.

MATERIAL LIBRARY

Zivella; you can access the wood, metal, fabric, and faux leather library using the QR code below.

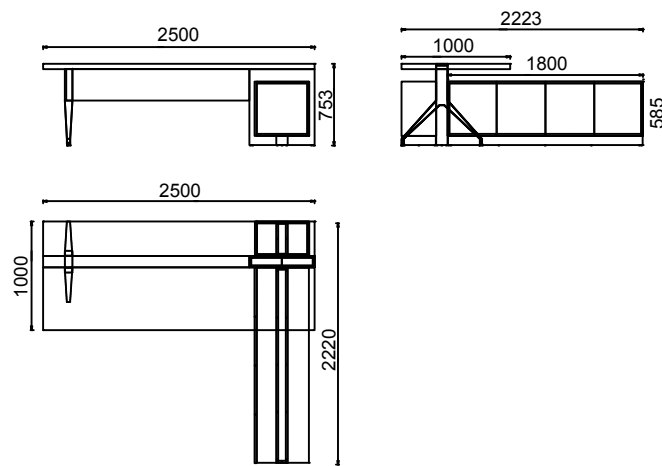


Material Catalog

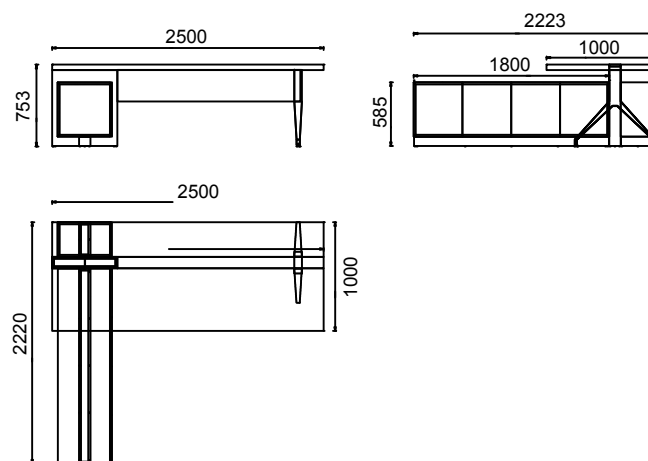


VENN EXECUTIVE DESK

DIMENSIONS



VLA100250 - VENN DESK WITH RIGHT SIDE UNIT 100x250 (LACQUER)
VNA100250 - VENN DESK WITH RIGHT SIDE UNIT 100x250 (VENEER-LACQUER)



VLO100250 - VENN DESK WITH LEFT SIDE UNIT 100x250 (LACQUER)
VNO100250 - VENN DESK WITH LEFT SIDE UNIT 100x250 (VENEER-LACQUER)

Measurements are in millimeters.



VENN CONSOLE

Designer: Adnan Serbest

The Venn console is designed to complement the visual integrity of executive offices, with both sides of the doors produced in melamine, lacquer, or wood veneer, matching the desk modesty panel color.

DESCRIPTION

WOODEN STRUCTURE

The console body and doors are made from lacquer-painted 18 mm MDF or polished wood veneer-covered 18 mm MDF. A 1 mm thick impact-resistant PVC band is used on the edges of the table.

ACCESSORIES

Feet: 16 mm diameter plastic nailed feet are used to lift the console off the ground.
The doors feature two special 45-degree corner hinges, one of which is soft-closing.

USAGE AREA

The Venn Console is designed for interior spaces like work areas.

DESIGNER / COLLECTION

The Venn Executive Group was designed by Adnan Serbest for the 2022/2023 collection.

MATERIAL LIBRARY

Zivella; you can access the wood, metal, fabric, and faux leather library using the QR code below.



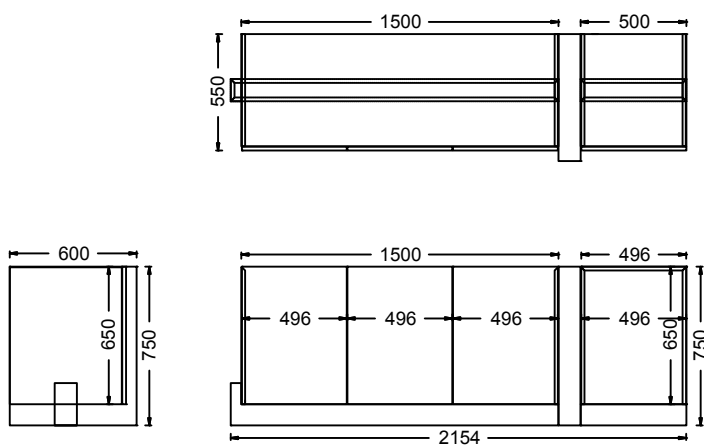
Material Catalog





VENN CONSOLE

DIMENSIONS



VLK21660 - VENN CONSOLE 216x60 (LACQUER)
VNK21660 - VENN CONSOLE 216x60 (VENEER-LACQUER)

Measurements are in millimeters.