

# TURN 2-DRAWER MOBILE PEDESTAL WITH FILE DRAWER

Technical Data Sheet





# TURN 2-DRAWER MOBILE PEDESTAL WITH FILE DRAWER

Designer: Z Design Team

Zivella's Storage Systems, which can be used in operation, management, and shared spaces, are notable for their elegance and functionality. This storage unit can be easily integrated with your work desks and adds dynamism to your spaces with its mobility features.

## EXPLANATIONS

---

### STRUCTURE

The pedestal bodies are made from E1 quality, 18 mm thick melamine-coated particle board on both sides.

The edges of the pedestal components are protected with 1 mm thick impact-resistant PVC edging.

The back panels are made from 18 mm thick, double-sided melamine-coated particle board, ensuring that the pedestal remains square and maintains visual symmetry with the doors.

Cushion: The pedestal cushions are made from 8 mm raw chipboard, covered with 28 DNS density, 2 cm thick gray foam.

### CONNECTIONS AND ACCESSORIES

The connections are made using German-made Hafele brand M68 mm diameter, 10 mm minifix metal connection mechanisms, and 832 mm plastic dowels.

Rails: The drawers use either 400 mm telescopic ball-bearing rails or plastic-wheeled rails.

Wheels: The pedestal has four plastic wheels, two of which have a locking mechanism.

Handles: The handles are made from electrostatically painted 128 mm aluminum, produced via injection molding in special molds.

Lock: A central locking system is used, allowing the drawers to be locked from a single point.

Hinges: Each door has two first-quality internal spring hinges, with one featuring a soft-closing mechanism, made by Hafele.

File Drawer: The bottom drawer includes metal rods that create a filing space.

### USAGE AREA

The Turn 2-Drawer pedestal with file drawer is designed for offices, open offices, meeting rooms, executive offices, and home workspaces.

### DESIGNER / COLLECTION

The Turn 2-Drawer pedestal with file drawer was designed by Z Design Team for the 2019/2020 collection.

### MATERIAL LIBRARY

Zivella; you can access the wood, metal, fabric, and faux leather library using the QR code below.

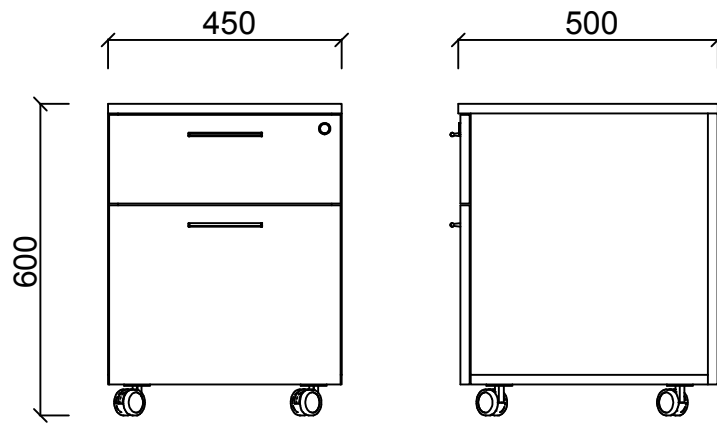


Material Catalog



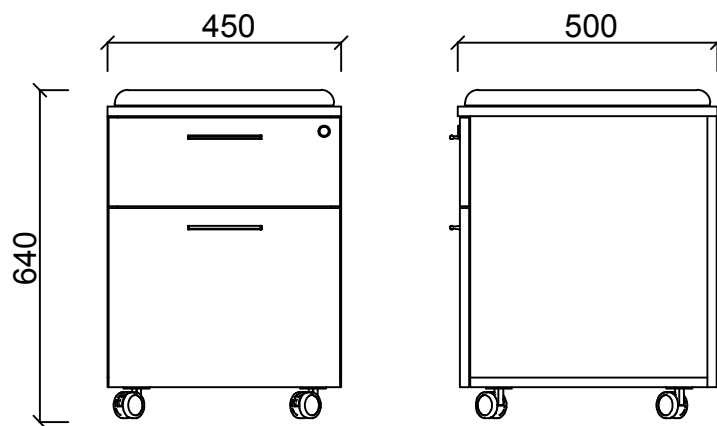
## TURN 2-DRAWER MOBILE PEDESTAL WITH FILE DRAWER

### DIMENSIONS



BKS200KH - TURN-2 (Plastic-Wheeled Rail)

BKS200OH - TURN-2 (Telescopic Rail)



BKS200KHD - TURN-D2 CUSHIONED (Plastic-Wheeled Rail)

BKS200OHD - TURN-D2 CUSHIONED (Telescopic Rail)

Measurements are in millimeters.