

MODY LIKA

Technical Data Sheet





MODY LIKA

Designer: Z Design Team

The design emphasizes simplicity and comfort, transforming any space into a warm and welcoming waiting area with a style that enhances the office's overall ambiance.

DESCRIPTIONS

LEG

The base of the chair features a 5-star design, made from steel with a diameter of 28 mm and a thickness of 2 mm. It is produced using CNC bending technology and is available with either electrostatic or chrome surface coating, providing options for different finishes.

MECHANISM

The chair mechanism is constructed from sheet metal and includes a single lever that allows the user to adjust the height. The mechanism can lock the chair in place and is designed to offer a high level of customization.

The gas lift is conical, allowing it to be securely fitted between the base and the mechanism. It is a Class 4 gas lift, imported for durability, and can be adjusted to the desired seating height.

BODY

The chair's frame and cushioning are made from polyurethane foam with a density of 45 kg/m³, shaped using special molds. The body is then upholstered in either fabric or synthetic leather. Inside the polyurethane frame, transmission rods with diameters of 5 mm and 10 mm, as well as metal plates measuring 20x3 mm and 20x5 mm, are incorporated to enhance durability and maintain the chair's structural integrity. Additionally, a 2 cm thick layer of 25 DNS foam and a 3 mm thick laminated fabric layer are applied for extra comfort.

ACCESSORIES

Wheels: The office chair features wheels made from PVC plastic material, designed for mobility and stability. The wheels are mounted to the base using a star-shaped fitting system.

USAGE AREA

The Mody Lika chair is designed for use in executive offices and similar indoor environments, providing a combination of comfort and style suitable for professional settings.

DESIGNER / COLLECTION

The Mody product group was created by the Z Design Team for the 2022/2023 collection.

MATERIAL LIBRARY

You can access Zivella's library of wood, metal, fabric and artificial leather with the QR code below.

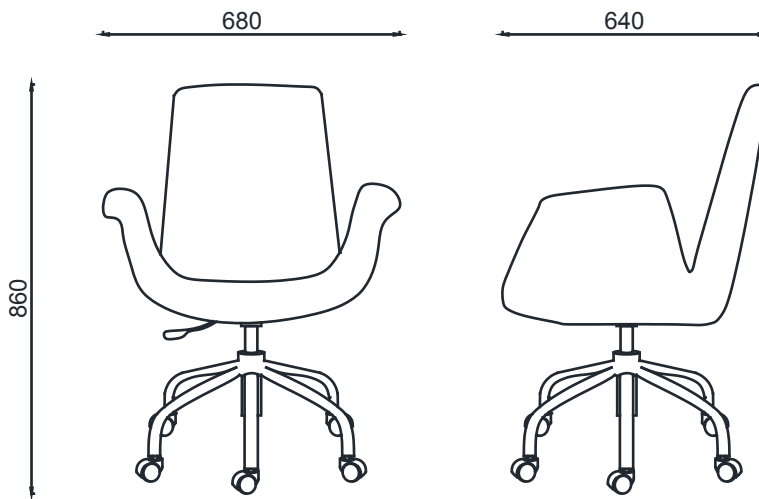


Material Catalog



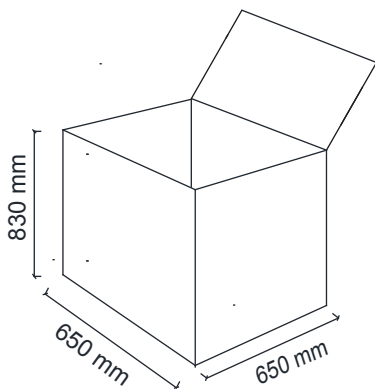
DIMENSIONS

MODY LIKA



BRK272 - MODY LIKA (STATIC)
BRK272K - MODY LIKA (CHROME)

Box Dimensions



Unit of measurement is millimeters.