

# LIA-P TRANSMISSION LEG

Technical Data Sheet





# LIA-P TRANSMISSION LEG

Designer: Z Design Team

Lia-P family, which can offer suitable and aesthetic solutions for different places such as offices, waiting areas, cafes and restaurants with wooden and metal leg alternatives, draws attention with its colorful design as much as its comfort.

## DESCRIPTIONS

---

### LEG

**Metal Leg:** It is made of Q12 mm transmission formed in special moulds. On the surface of metal base, electrostatic oven coating or heat-treated chrome plating is used to give resistance to oxidizing and corrosion.

Metal legs are coated with 90 micron-thick sprayed rough-textured powder coating.

### FRAME

**Seat:** It is upholstered with 2cm-thick down sponge of 25 DNS and 3cm-thick grey sponge of 28 DNS on 8 mm raw MDF.

**Backrest:** It is made of polyurethane bulk sponge on a metal frame formed by Q12mm transmission and a metal sheet bar of 20x5 mm. It is upholstered with 10 mm lamination on polyurethane.

Outer part of backrest is coated with 3 mm lamination.

### ACCESSORY

**Foot:** Plastic fit-in foot pads made of hard plastic polypropylene for the balls in metal transmission legs.

### USAGE AREA

Lia-P Office Chairs are designed for interiors such as office rooms, meeting rooms.

### DESIGNER / COLLECTION

Product Group was designed by Z Design Team. It was designed for 2022/2023 collection.

### MATERIAL LIBRARY

You can access Zivella's library of wood, metal, fabric and artificial leather with the QR code below.

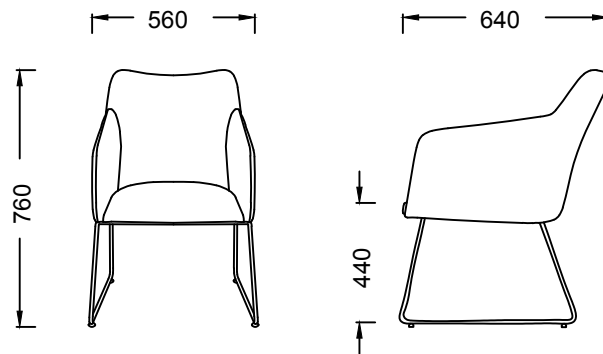


*Material Library*



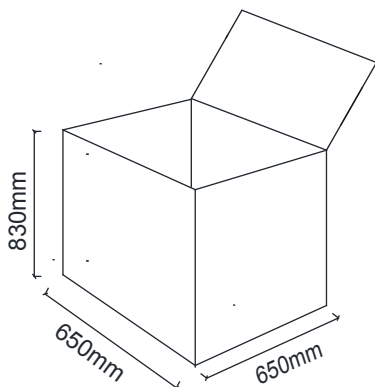
## LIA-P TRANSMISSION LEG

### MEASUREMENTS



BRK2362 - LIA - P TRANSMISSION LEG (STATIC)  
BRK2352K - LIA - P TRANSMISSION LEG (CHROME)

### Parcel Measurements



Unit of measurement is millimeters.