

# LENTA WORKING GROUP

Technical Data Sheet





# LENTA WORKING GROUP

Designer: Alp Nuhođlu

Bringing the warmth of wood to workspaces, Lenta adds a natural and refreshing atmosphere to its surroundings. We combined soft forms, natural materials, and colors to create a user-friendly working environment. Lenta was produced for those who prefer dynamic, high-energy workspaces that steer clear of monotony.

## DESCRIPTION

### STRUCTURE

The desk structure consists of 50x25x1.5 mm metal profiles. The center legs are made from sheet metal material, produced through CNC cutting and CNC bending molds.

For the leg connection, a demountable "U Connection Element" made from aluminum using an injection production method in special molds is used.

### TABLETOP

The desk tabletop is made from E1 quality, 18 mm thick, melamine-coated particle board, with all four edges covered with 1 mm thick impact-resistant PVC.

There are plastic cable covers on the desk top to allow for cable management.

The tabletop can be produced in all melamine colors and veneer options available in the Zivella Color Chart.

### WOODEN LEGS

The wooden desk legs are made from 1st-class kiln-dried solid ash wood.

For the finish, 3 layers of polyurethane filler varnish are applied, followed by 2 layers of polyurethane matte varnish for the final coat.

### SEPARATOR

The separator is made from E1 quality 8 mm raw particle board, upholstered with 1 cm thick foam and fabric material. It is mounted using a separator holder connected to the desk top and metal structure.

### ACCESSORIES

Height-adjustable plastic feet, made from polypropylene material, are used under the legs for leveling.

### USAGE AREA

The Lenta Working Group is designed for workspaces in indoor environments.

### DESIGNER / COLLECTION

The Lenta Working Group was designed by Alp Nuhođlu for the 2022/2023 collection.

### MATERIAL LIBRARY

Zivella; you can access the wood, metal, fabric, and faux leather library using the QR code below.

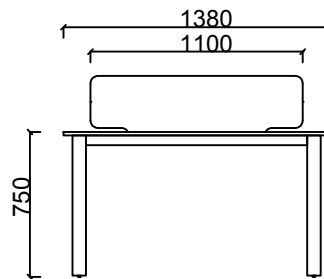
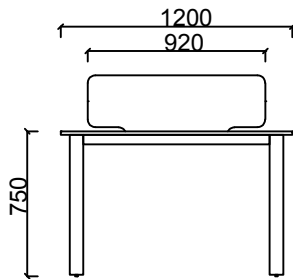
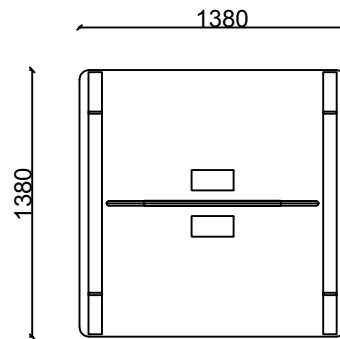
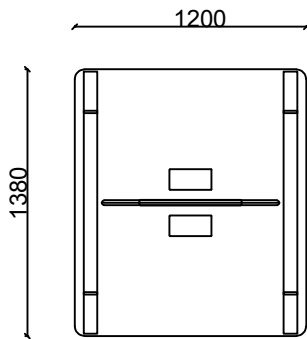


Material Catalog



## LENTA TWO-PERSON WORKING GROUP

### DIMENSIONS



LN70120W2 - Lenta Two-Person Working Group 70x120

LN70140W2 - Lenta Two-Person Working Group 70x140

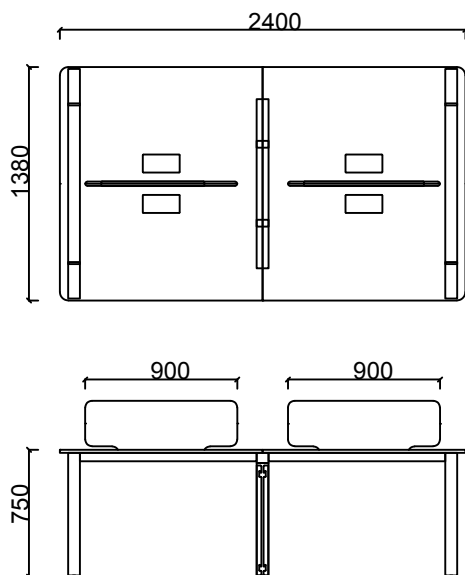


Measurements are in millimeters.

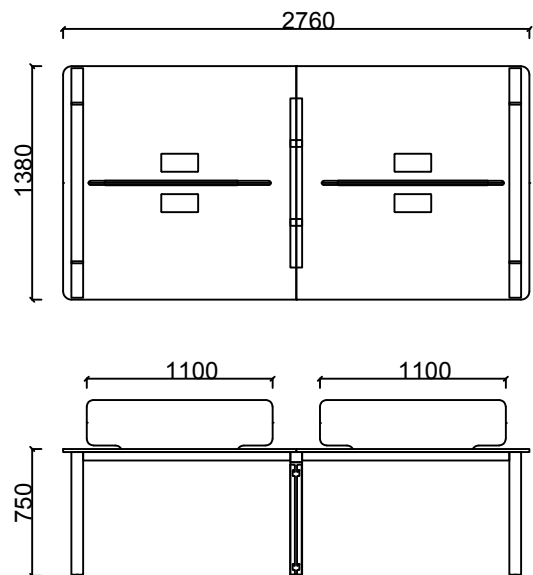


## LENTA FOUR-PERSON WORKING GROUP

### DIMENSIONS



LN70120W4 - Lenta Four-Person Working Group 70x120



LN70140W4 - Lenta Four-Person Working Group 70x140



# LENTA SIDE-UNIT WORKING GROUP

Designer: Alp Nuhođlu

Bringing the warmth of wood to workspaces, Lenta adds a natural and refreshing atmosphere to its surroundings. We combined soft forms, natural materials, and colors to create a user-friendly working environment. Lenta was produced for those who prefer dynamic, high-energy workspaces that steer clear of monotony.

## DESCRIPTION

---

### CREDENZA

All tabletops of the credenza are made from E1 quality 18 mm and 8 mm particle board, with melamine coating on both sides. Impact-resistant 1 mm PVC edge banding is used on the edges of the tabletop.

The color selection for the tabletops is available in all melamine colors and veneer options from the Zivella Color Catalog.

### CONNECTION ELEMENTS

Each panel of the credenza is demountable, and for connecting the parts to each other, Minifix and dowel connection elements are used. For connecting the credenza doors, first-quality internal spring hinges by Hafele, with or without soft-closing mechanisms, are used. The drawer slides are Hafele brand tandem slides, 40 cm in depth, and equipped with soft-closing functionality.

### DESK CONNECTION

The credenza-top leg of the desk is attached to the top panel of the credenza using bolt fasteners, connected through pre-drilled holes inside the credenza.

To allow for cable management and concealment, a Zivella Plastic Junction Box is used on the top panel of the credenza.

### USAGE AREA

The Lenta Working Group is designed for workspaces in indoor environments.

### DESIGNER / COLLECTION

The Lenta Working Group was designed by Alp Nuhođlu for the 2022/2023 collection.

### MATERIAL LIBRARY

Zivella; you can access the wood, metal, fabric, and faux leather library using the QR code below.

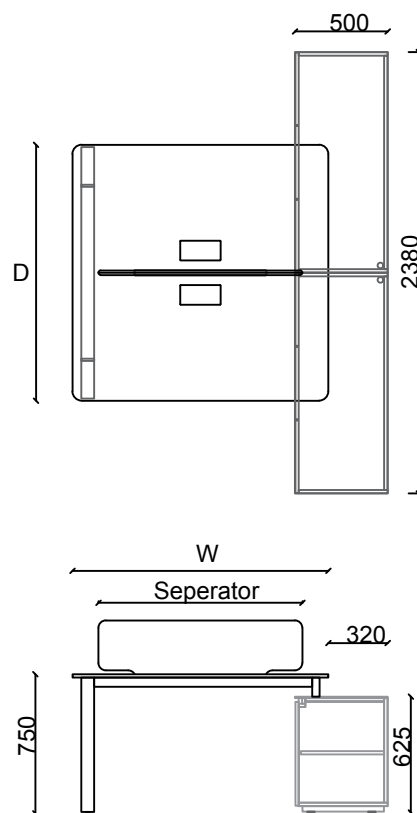


*Material Catalog*



## LENTA SIDE-UNIT WORKING GROUP

### DIMENSIONS



	Depth	Width	Height	Seperator
- LNE70140W2	1380 mm	1380 mm + 320	750 mm	1100 mm
- LNE70160W2	1380 mm	1580 mm + 320	750 mm	1300 mm
- LNE80140W2	1580 mm	1380 mm + 320	750 mm	1100 mm
- LNE80160W2	1580 mm	1580mm + 320	750 mm	1300 mm

Measurements are in millimeters.