

# MILA WORKING GROUP

Technical Data Sheet





## MILA WORKING GROUP

Designer: Adnan Serbest

Mila stands out as a product group that conveys minimalism with understated details, living simplicity, and sharing these principles with its users. Thanks to the strong relationship and design unity between the products, Mila offers collaborative workspaces with many size options, creating spaces where employees feel comfortable.

### DESCRIPTION

#### STRUCTURE

The metal legs are made from 25x25x1.5 mm metal profiles. A welded tabletop connection part made from 5 mm thick DKP steel is attached to the top of the metal legs, produced using CNC laser cutting. All metal parts are coated with a 90-micron thick textured (pebbled) electrostatic powder paint. They can be painted in any static color from the Zivella Metal Color Chart.

#### TABLETOP & SEPARATOR

The desk top is made from 25 mm thick melamine-coated particle board. The desk surface is organized into three parts: two separate work surfaces and a middle modesty panel. The desk top, separator frame, and modesty panel can be produced in all colors and patterns from the Zivella Particle Board Color Chart. The separator is made from particle board with a melamine-coated wooden frame, upholstered with foam and fabric.

#### SEPARATOR

The separator is made from particle board with a melamine-coated wooden frame, upholstered with 1 cm thick foam and fabric material, and constructed from E1 quality 8 mm particle board.

#### ACCESSORIES

Each work surface on the desk has one plastic Zivella cable cover. There is also a plastic cable cover on the modesty panel for cable entry and exit. Height-adjustable plastic bingo feet are used on the bottom of the metal legs where they make contact with the floor. The desk tops and modesty panels are connected to each other and the legs using Minifix and plastic dowels.

#### USAGE AREA

The Mila Working Group is designed for workspaces.

#### DESIGNER / COLLECTION

The Mila Working Group was designed by Adnan Serbest for the 2022/2023 collection.

#### MATERIAL LIBRARY

Zivella; you can access the wood, metal, fabric, and faux leather library using the QR code below.



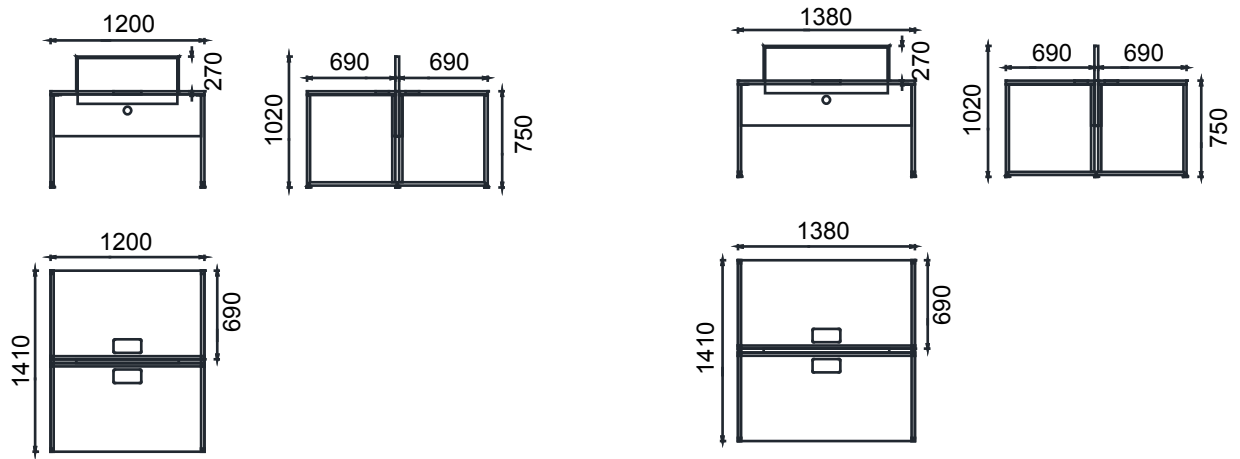
Material Catalog





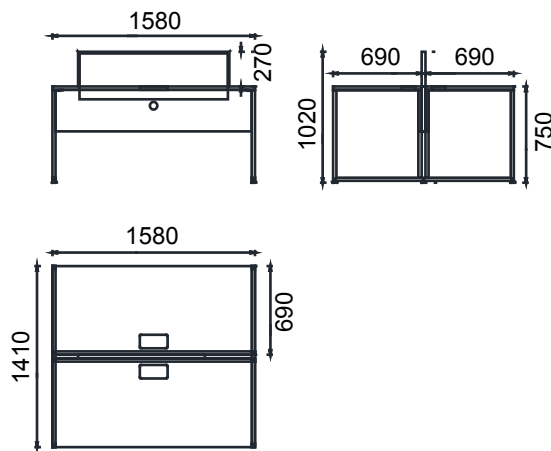
## MILA TWO-PERSON WORKING GROUP

### DIMENSIONS



MLM70120W2 - MILA TWO-PERSON WORKING GROUP 70x120

MLM70140W2 - MILA TWO-PERSON WORKING GROUP 70x140



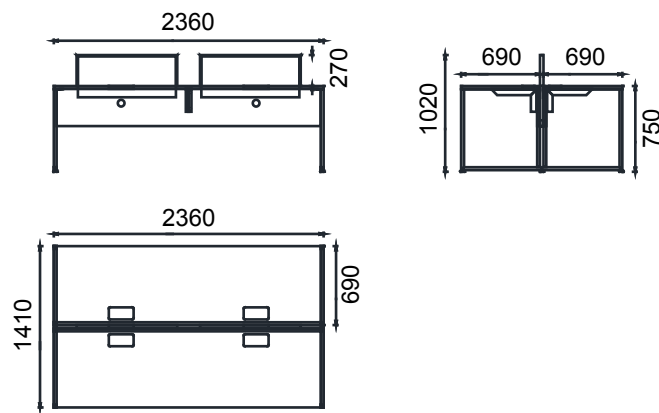
MLM70160W2 - MILA TWO-PERSON WORKING GROUP 70x160

Measurements are in millimeters.

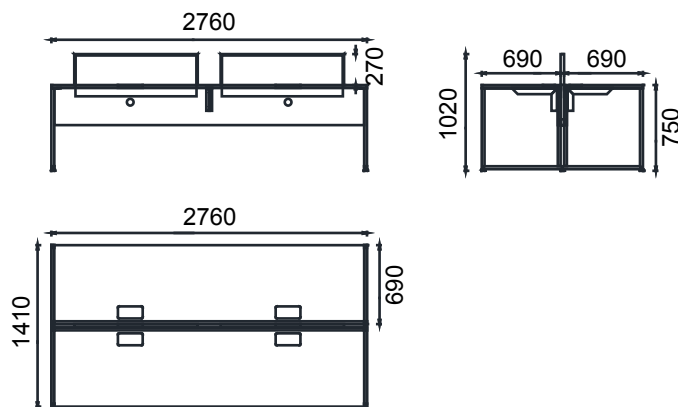


## MILA FOUR-PERSON WORKING GROUP

### DIMENSIONS



MLM70120W4 - MILA FOUR-PERSON WORKING GROUP 70x120



MLM70140W4 - MILA FOUR-PERSON WORKING GROUP 70x140

Measurements are in millimeters.