

# TIM OFFICE CHAIRS

Technical Data Sheet





## TIM OFFICE CHAIRS

Designer: Z Design Team

Tim is a versatile and customizable chair that stands out with its linear design and simplicity. With options such as sleeved and sleeveless, different leg, color and upholstery options, you can personalize it to match your gusto.

### DESCRIPTIONS

---

#### STAR LEG

5 star legs made of impact and scratch resistant hard plastic material or chrome plated aluminum injection molding.

Gas lift cylinder: Imported gas, class4 gas lift cylinder with conical fitting system to the leg and mechanism, which can be fixed at the desired seat height.

#### MECHANISM

Height adjustable, motion stiffness adjustable single lever tilt mechanism with locking at 3 separate tilt points.

#### METAL ARM

Q17 is manufactured by drawing from DKP sheet with a diameter of 17 mm and a wall thickness of 2 mm and the metal profile is produced by CNC bending in special molds. On the metal arm surface; 90 micron thick textured electrostatic powder oven paint is used.

In BYP-K coded products, chrome plating surface process is applied to metal arms.

#### PLASTIC FRAME

Manufactured by plastic injection from polypropylene material shaped in special molds.

#### UPHOLSTERY

The back is made of 10 mm thick sponge and fabric with a density of 28 DNS on a polypropylene plastic body formed in special molds.

For TIM-Y coded products, it is for the fully furnished plastic body.

The seat is formed in special molds and covered with sponge and fabric with a density of 28 DNS and a thickness of 20 mm on a polypropylene plastic seat font.

For products with TIM-P code, only for chairs with upholstered seats.

#### ACCESSORY

Wheel: 60mm diameter wheels made of hard plastic material, swivel in all directions with 11mm rings.

#### AREA OF USE

Tim Meeting Chairs are designed for interior spaces such as executive rooms, meeting rooms and workspaces.

#### DESIGNER / COLLECTION

Tim Meeting Product Group was designed by Z Design Team. It was designed for 2022/2023 collection.

#### MATERIAL LIBRARY

You can access Zivella's library of wood, metal, fabric and artificial leather with the QR code below.

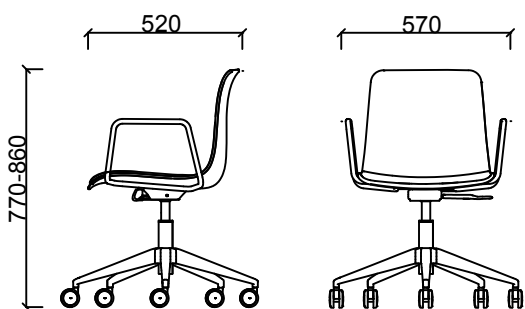


Material Library

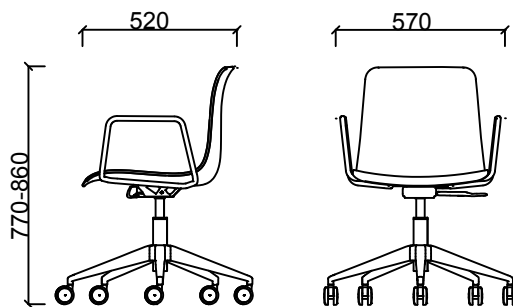


# TIM OFFICE CHAIRS

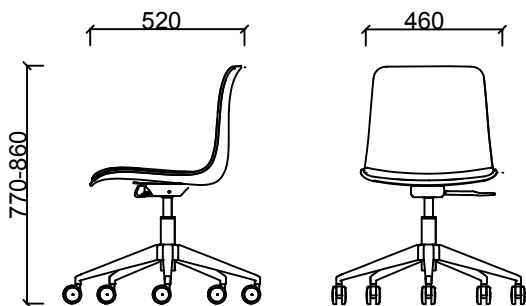
## MEASUREMENTS



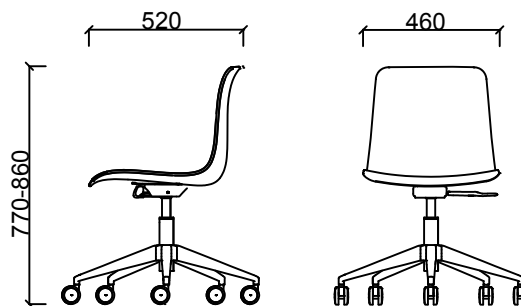
BYP139-TIM-P OFFICE W/ARM PLASTIC LEG  
 BYP145-TIM-P OFFICE W/ARM METAL LEG STATIC  
 BYP145K-TIM-P OFFICE W/ARM METAL LEG CHROME ARM



BYP137-TIM OFFICE W/ARM STATIC PLASTIC LEG / BYP143-TIM OFFICE W/ARM METAL LEG STATIC  
 BYP143K-TIM OFFICE W/ARM METAL LEG STATIC / BYP141-TIM-Y OFFICE W/ARM PLASTIC LEG  
 BYP147-TIM-Y OFFICE W/ARM METAL LEG STATIC / BYP147K-TIM-Y OFFICE W/ARM METAL LEG CHROME

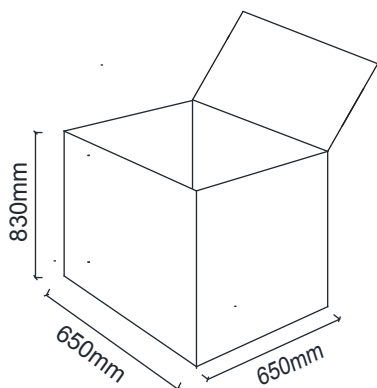


BYP138-TIM-P OFFICE PLASTIC LEG  
 BYP144-TIM-P OFFICE METAL LEG



BYP136-TIM OFFICE PLASTIC LEG / BYP142-TIM OFFICE METAL LEG  
 BYP140-TIM-Y OFFICE PLASTIC LEG / BYP146-TIM-Y OFFICE METAL LEG

## Parcel Measurements



Unit of measurement is millimeters.