

TAMI EXECUTIVE

Technical Data Sheet





TAMI EXECUTIVE

Designer: Z Design Team

Tami, designed to provide a healthy working experience with its curved back form, brings an aesthetic touch to offices.

DESCRIPTIONS

STAR BASE

The star base is made with five legs, constructed from either durable hard plastic or chrome-plated aluminum. The plastic version of the base is available in black or white color options, providing a customizable look to match the office decor.

MECHANISM

The chair features a dual-lever tilt mechanism, which allows the user to lock the chair in one of three reclining positions. The height of the chair is adjustable, and the tension of the recline can be customized. The gas lift (pneumatic cylinder) is a Class 4 imported unit that allows for smooth height adjustments and is securely connected to the base and mechanism.

SEAT AND BACKREST

The seat is made using an injection molding process, with a plastic base covered by 5 cm thick 35 HR foam and an additional 1 cm thick layer of 28 DNS foam for added comfort. The backrest is also made using an injection molding process and is upholstered with mesh fabric for breathability. The backrest includes a height-adjustable lumbar support module, made from plastic, which can be moved up and down to suit the user's comfort needs. Both the seat and backrest are available in black or white color options.

HEADREST

The headrest is made from plastic using an injection molding process. It is attached to the backrest using demountable connectors. The headrest can be adjusted in angle for ergonomic support. It is available in black or white color options and is padded with 3 cm thick foam, covered in fabric.

ARMREST

The chair is equipped with height-adjustable armrests that can move forward and backward. The armrest pads are made from polyurethane, providing a comfortable surface. Alternatively, the chair can be equipped with fixed armrests made from durable plastic material. Both types of armrests are designed to resist impacts and scratches.

ACCESSORIES

Wheels: The chair includes 50 mm diameter wheels, made from hard plastic, allowing for smooth movement in all directions.

USAGE AREA

The Tami Executive chair is designed for executive offices and workspaces.

COLLECTION

The Tami Executive chair is designed for the 2022/2023 collection.

MATERIAL LIBRARY

You can access Zivella's library of wood, metal, fabric and artificial leather with the QR code below.



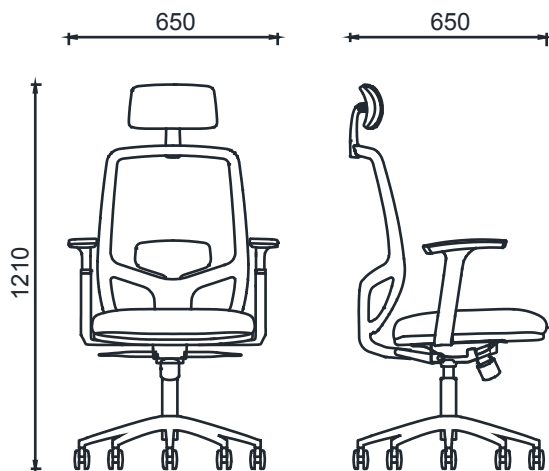
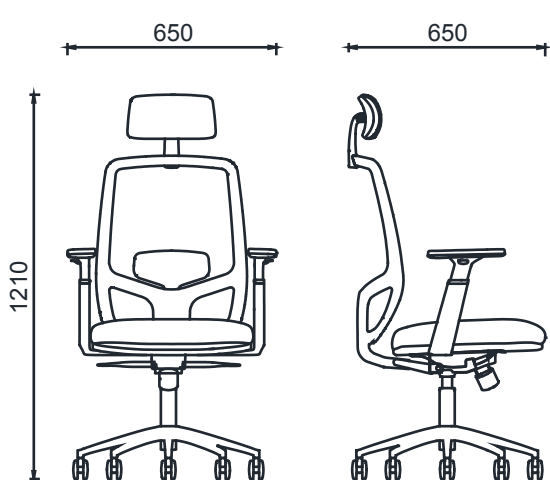
Material Catalog





DIMENSIONS

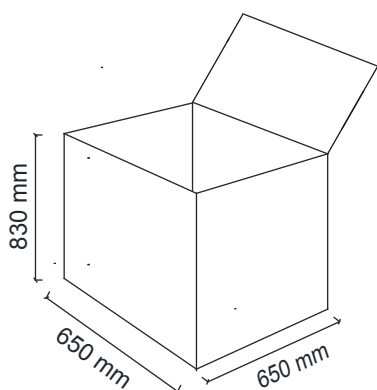
TAMI EXECUTIVE



BRK47010S - TAMI EXECUTIVE BLACK (Movable Armrests - Plastic Base)
 BRK47020S - TAMI EXECUTIVE BLACK (Movable Armrests - Aluminum Base)
 BRK47010B - TAMI EXECUTIVE WHITE (Movable Armrests - Plastic Base)
 BRK47020B - TAMI EXECUTIVE WHITE (Movable Armrests - Aluminum Base)

BRK47011S - TAMI EXECUTIVE BLACK (Fixed Armrests - Plastic Base)
 BRK47021S - TAMI EXECUTIVE BLACK (Fixed Armrests - Aluminum Base)
 BRK47011B - TAMI EXECUTIVE WHITE (Fixed Armrests - Plastic Base)
 BRK47021B - TAMI EXECUTIVE WHITE (Fixed Armrests - Aluminum Base)

Box Dimensions



Unit of measurement is millimeters.